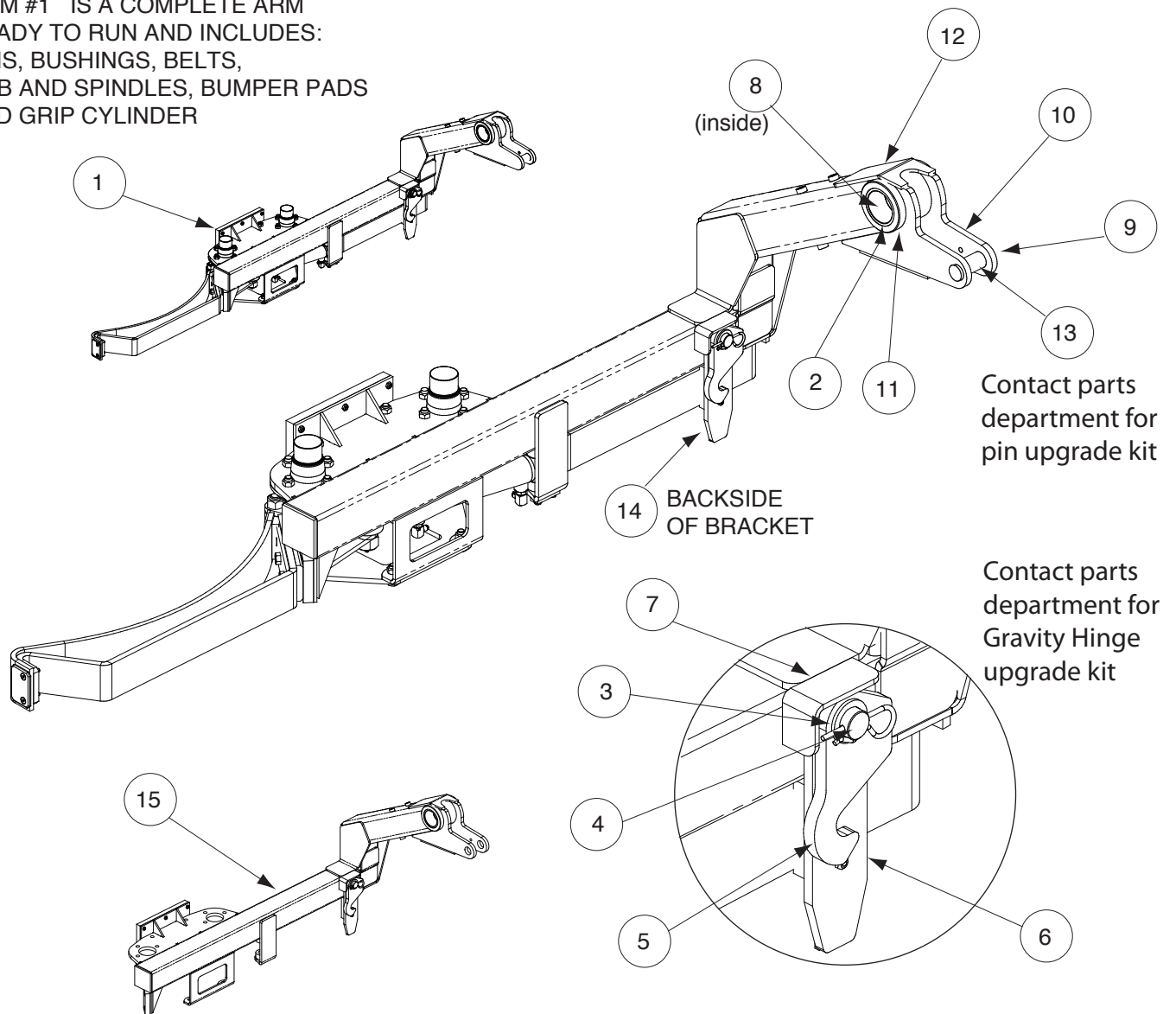


ITEM #1 IS A COMPLETE ARM  
READY TO RUN AND INCLUDES:  
PINS, BUSHINGS, BELTS,  
HUB AND SPINDLES, BUMPER PADS  
AND GRIP CYLINDER



Item #1	AC4-A005	ARM, complete (ready to run)	Qty. per 1
Item #2	B17-0006	BEARING RACE, arm pivot	Qty. per 2
Item #3	AC02-130	SPACER, gravity hook	Qty. per 1
Item #4	AC02-129	PIN, gravity hook pivot	Qty. per 1
Item #5	AC02-128	HOOK, gravity	Qty. per 1
Item #6	AC02-152	BRACKET, gravity hook	Qty. per 1
Item #7	AC02-135	STOP, gravity hook	Qty. per 1
Item #8	AC4-0002	INSERT, collar pivot	Qty. per 1
Item #9	AC02-055	KEEPER PIN	Qty. per 1
Item #10	AC02-049	BRACKET, lift cyl., shaft end mount	Qty. per 2
Item #11	AC02-041	COLLAR, pivot arm	Qty. per 1
Item #12	AC1-0012	REINFORCEMENT PLATE, arm pivot	Qty. per 1
Item #13	AC4-A002	PIN, lift cylinder, shaft end	Qty. per 1
Item #14	WPT-3	WELD PLATE, Parker 3/4" hose clamp	Qty. per 1
Item #15	AC02-S08	ARM, offset, basic assembly	Qty. per 1