





WARNING

IF INCORRECTLY USED, THIS EQUIPMENT CAN CAUSE SEVERE INJURY. THOSE WHO USE AND MAINTAIN THE EQUIPMENT SHOULD BE TRAINED IN ITS PROPER USE, WARNED OF ITS DANGERS, AND SHOULD READ AND FULLY UNDERSTAND THIS ENTIRE MANUAL BEFORE ATTEMPTING TO SET UP, OPERATE, ADJUST OR SERVICE THE EQUIPMENT. KEEP THIS MANUAL FOR FUTURE REFERENCE

IMPORTANT SAFETY NOTICE

Proper service and repair are important to the safe, reliable operation of Curotto-Can's products. Service procedures recommended by Curotto-Can are described in this service manual and are effective for performing service operations. Some of these service operations may require the use of tools or blocking devices specially designed for the purpose. Special tools should be used when and as recommended. It is important to note that some warnings against the use of specific methods that can damage the product or render it unsafe are stated in the service manual. It is also important to understand these warnings are not exhaustive. Curotto-Can could not possibly know, evaluate and advise the service trade of all conceivable ways in which service might be done or of the possible hazardous consequences of each method. Consequently, Curotto-Can has not undertaken any such broad evaluations. Accordingly, anyone who uses service procedures or tools which are not recommended by Curotto-Can must first satisfy himself thoroughly that neither his safety nor the product safety will be jeopardized by the method he selects.

“Curotto-Can, as manufacturer of the equipment that is covered by this manual, is providing a product to the user who has acknowledged to have superior knowledge of the conditions of the use to which the product will be put. Curotto-Can relies upon the user’s superior knowledge in specifying any changes or modifications including, but not limited to, the inclusion or non inclusion of options that are required by the user and the Curotto-Can product, and for the particular application of the user relative to the Curotto-Can product.”

Curotto-Can

TABLE OF CONTENTS

Terms for Parts

Can Body

Bare and Complete Cans.....	6
Decals.....	7
Extensions.....	8
Spill Guards and Windscreen.....	9

Slide

Track Assembly.....	12
Wear Strips.....	13
Weld-on Brackets.....	14
Pins.....	15

Arm

Gravity Latch.....	18
Dogbone.....	19
Pivot Pin & Lift Cylinder Pin.....	20
Bumper Pads.....	21
Grip Cylinder Pins.....	22
Belts & Buckles.....	23
Optional Grip Arms.....	24
Arm Pins & Spacers.....	25
Hub & Spindles.....	26
Link Bar and Pins.....	27

Hydraulic

Cylinders and Seal Kits.....	30
Hoses.....	31
Reference Info for Hoses.....	32
Main Valve, Hydraforce.....	35
Main Valve Hookup Information.....	36
Inline Priority Diverter.....	37
PDM Flow Divider - Mechanical.....	38
Arm Tubes.....	39

Electrical

Standard Harnesses.....	42
Trailer Plug Harnesses.....	43
Timer.....	44
Joystick.....	45

Schematic

Main Without Dual Controls.....	48
Main With Dual Controls.....	49
Overview, WeatherPack.....	50
Overview, Trailer Plugs.....	51
Joystick Harness.....	52

Truck

Armrests and Supports.....	54
Cradles.....	55

Outside Controls.....	56
RFID / Sonrai Add-on Items Needed for System Install.....	57

Options

Autocover, RAC, Cylinder & Shaft Assembly.....	60
Autocover, Windscreen.....	61
Hopper Seal/Brush Kit, Can Only.....	62
Hopper Seal/Brush Kit, McNeilus Pacific/Atlantic Series.....	63
Hopper Seal/Brush Kit, McNeilus Lo-Pro.....	64
Hopper Seal/Brush Kit, Heil.....	65

Retrofit

Retrofit / Add Truck Side Controls to Operate Curotto-Can.....	68
Slide Adjust.....	69
Slide Brackets.....	70
Dump Pin.....	71

Flow Meter

Flow Meter.....	74
-----------------	----

300 Gallon Model

Can Body, Bare.....	76
Rubber Flaps.....	77
Arm & Head, Complete.....	78
Arm and Gripper Head.....	79
Arm Belts and Pins.....	81
Arm & Belt Options.....	82
Lift Cylinder.....	83
Complete Slide.....	84
Autocover.....	85

Tables

Curotto-Can Torque Specifications.....	88
--	----

Numerical Index	89
------------------------------	----

Curotto-Can

INTENTIONALLY LEFT BLANK

Curotto-Can (Pre-2018)

AUTOMATED CARRY CAN

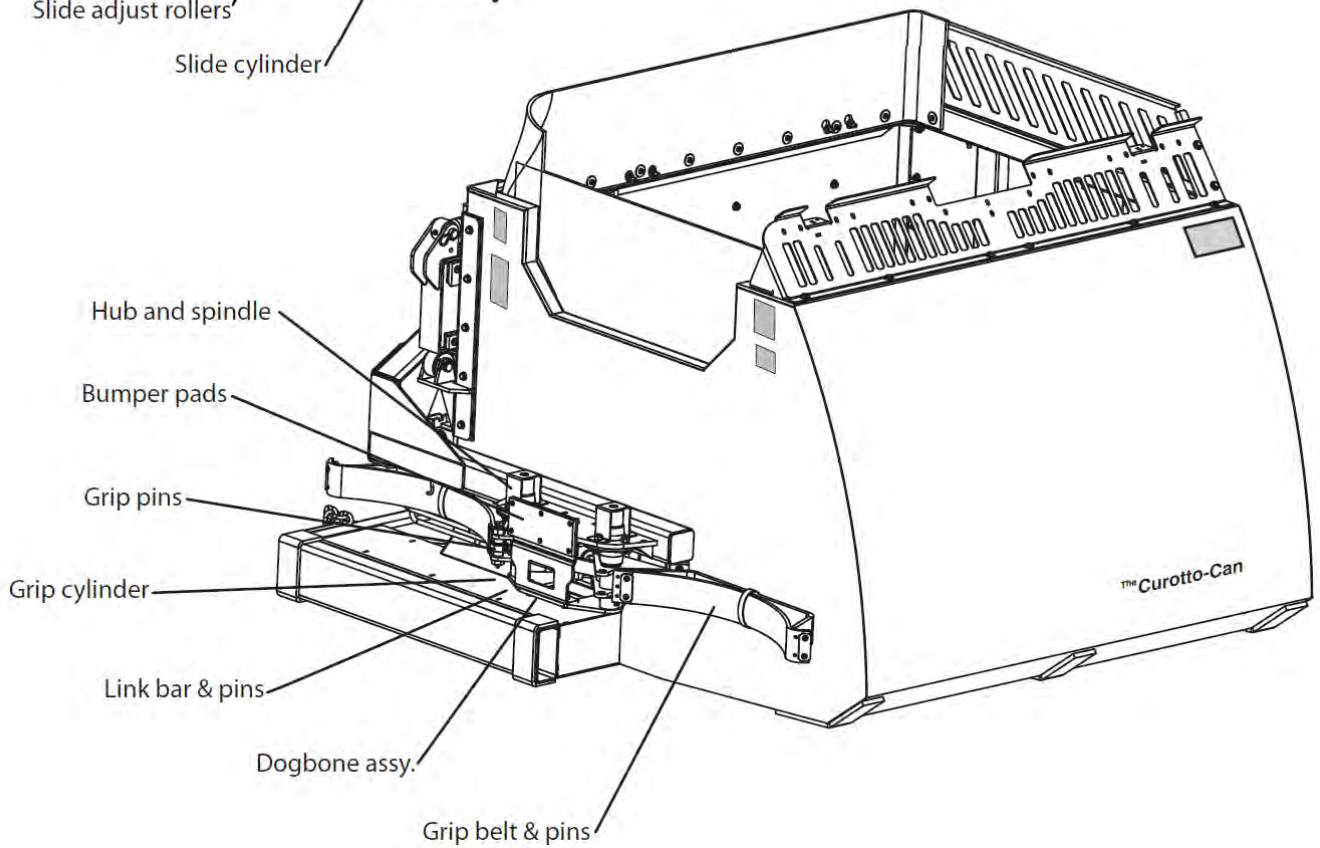
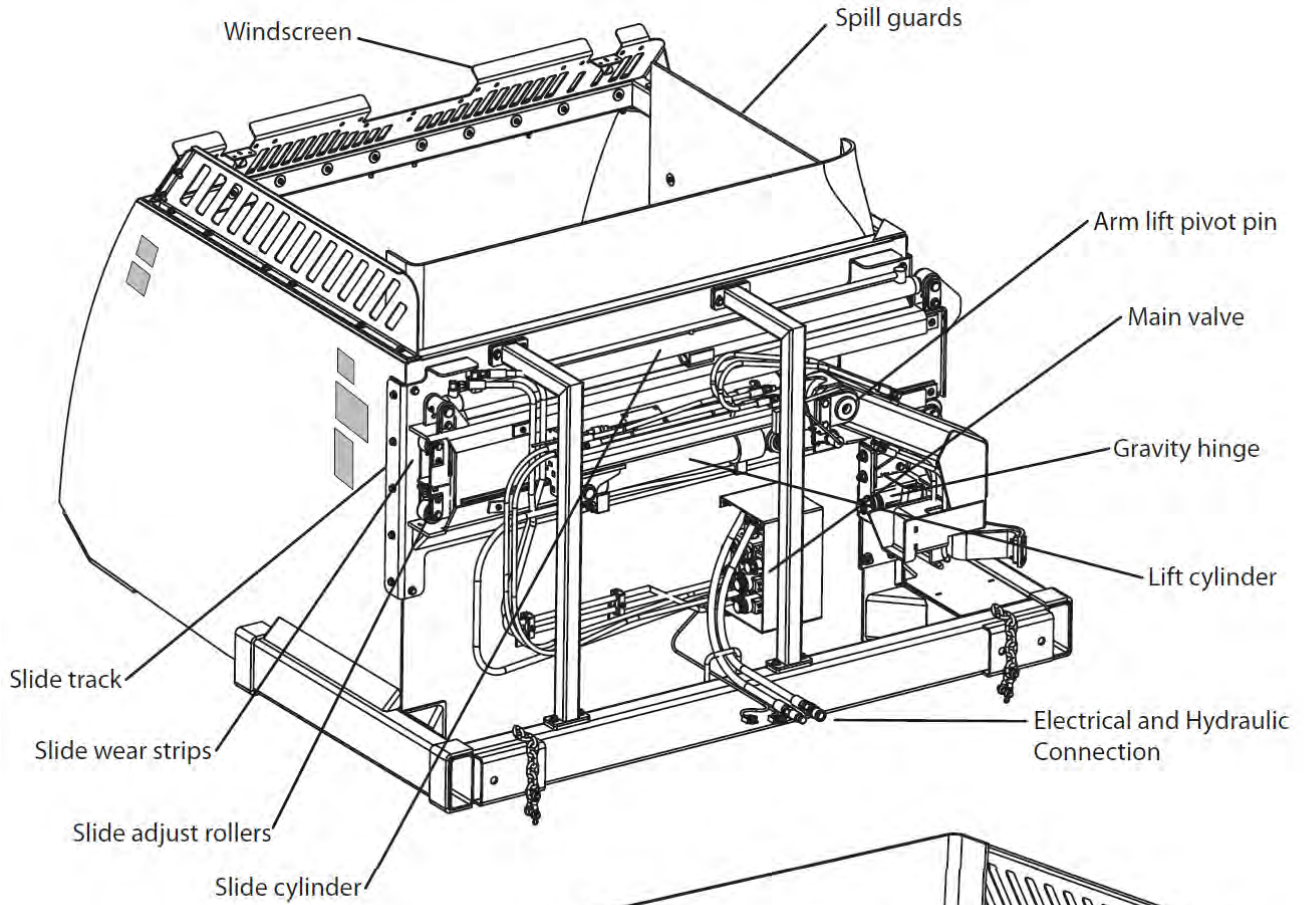
PARTS MANUAL

ISSUED SEPTEMBER 2019

TP1PRE2018CC-PM-0919

INTENTIONALLY LEFT BLANK

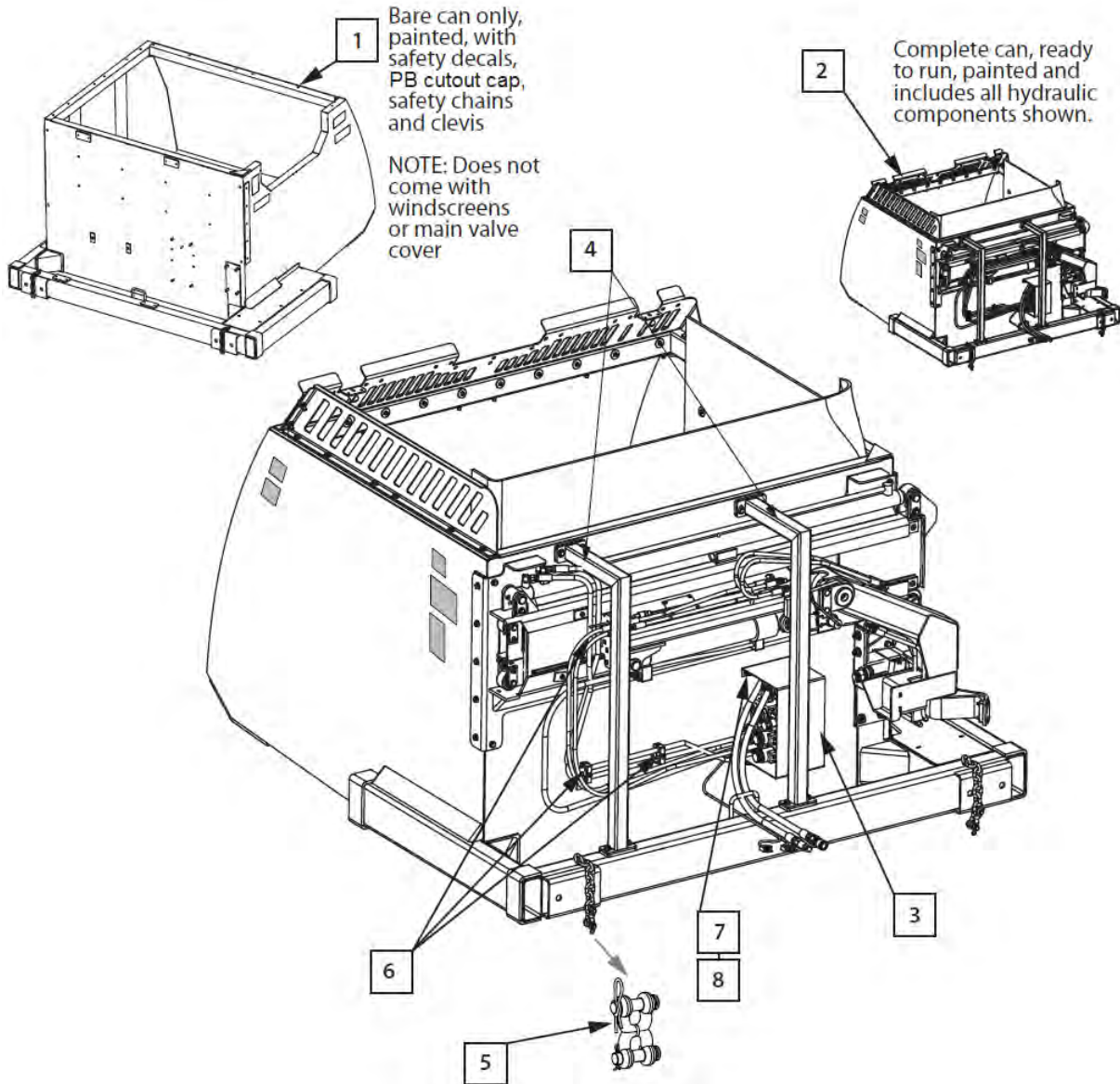
Curotto-Can TERMS FOR PARTS



INTENTIONALLY LEFT BLANK

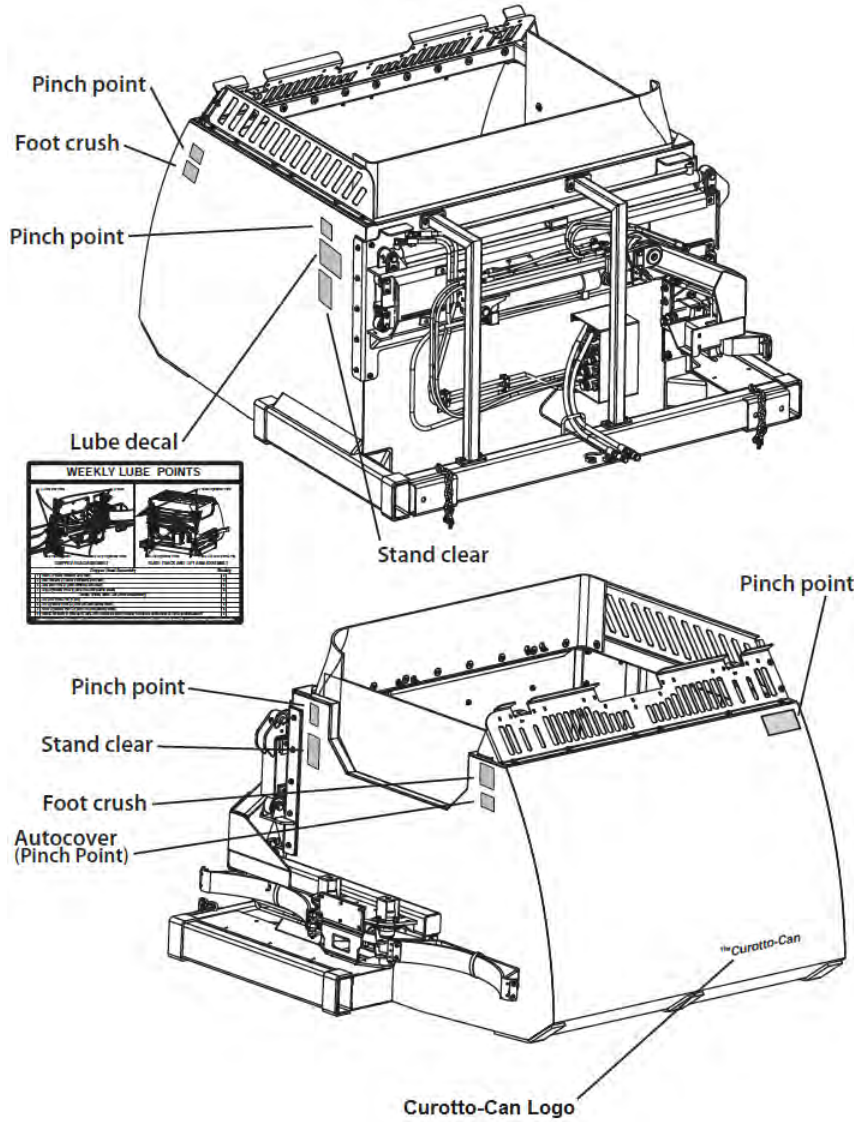
CAN BODY

Curotto-Can CAN BODY BARE & COMPLETE CANS



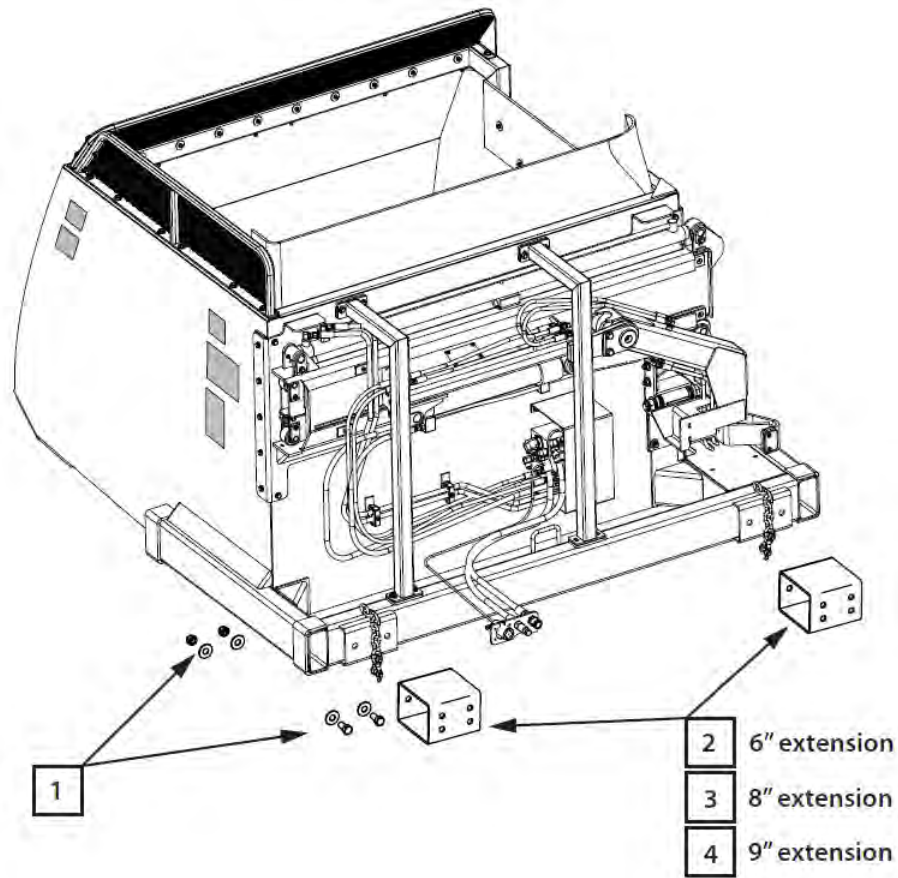
ITEM	PART NO.	DESCRIPTION	QTY	NOTES
1	AC02-A03-SE	Can, bare, SE model	1	.. Does not come with windscreens ... or main valve cover
2	SLMNEG-01	Can, complete, SE model	1	.. Ready to run (No Options)
3	AC1-0017	Cover, main valve	1	
4	PB-0001	Protective bars, steel tube	2	
5	859-0041	Clevis with hitch pin and cotter pins	2	.. Safety chain not included .. Replaces CF-44131
6	TC-3-4-R	Hose clamp	4	
7	047-2670	Nut, main valve cover	4	.. Replaces CF-37185
8	055-3113	Washer, main valve cover	4	.. Replaces CF-33815

Curotto-Can CAN BODY DECALS



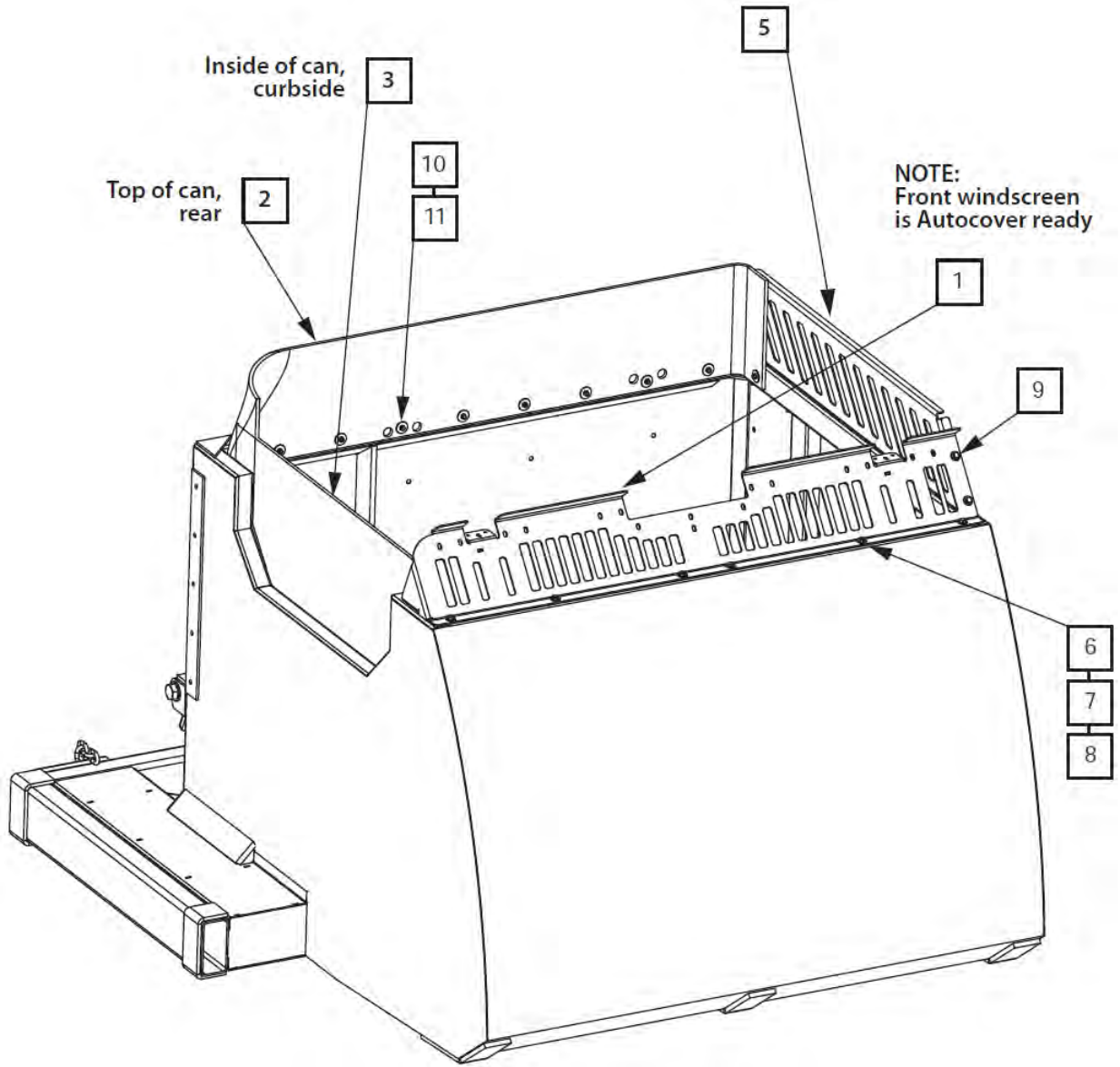
ITEM	PART NO.	DESCRIPTION	QTY	NOTES
1	DECAL-STANDARD KIT	Kit, Decal, Complete	1	.. Complete Decal Kit
2	212-3273	Decal, Curotto-Can Logo	1	

Curotto-Can CAN BODY EXTENSIONS



ITEM	PART NO.	DESCRIPTION	QTY	NOTES
1	EXT-HW-KT-CS	Hardware kit, can side, standard	1	Includes all capsews, washers & nuts
2	EXT-6-SET	6" Standard extension	1	Includes hardware
3	EXT-8-SET	8" Standard extension	1	Includes hardware
4	EXT-9-SET	9" Standard extension	1	Must have for Heil body
5	EXT-HW-KT-TS	Hardware kit, truck side	1	

Curotto-Can CAN BODY SPILL GUARDS



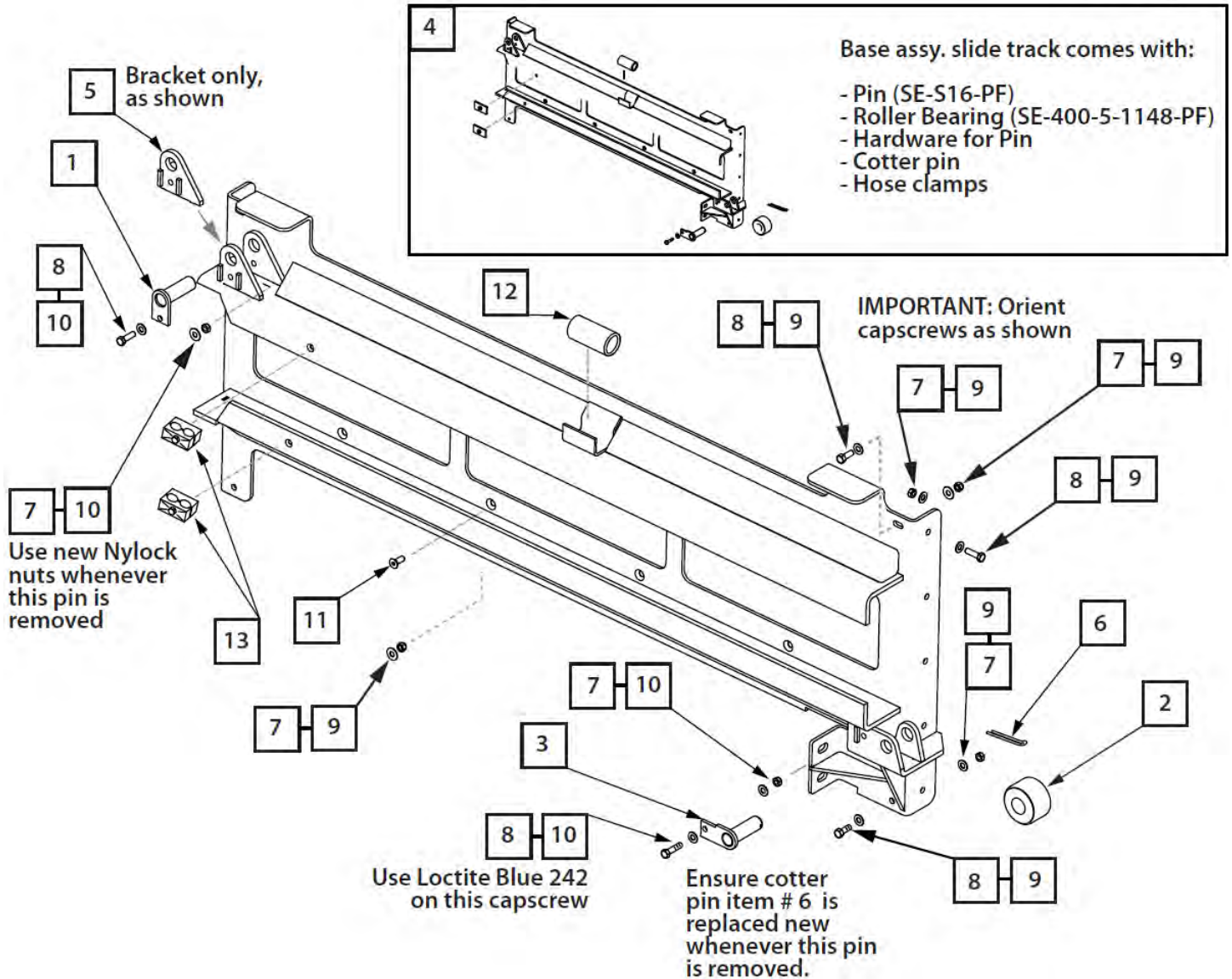
ITEM	PART NO.	DESCRIPTION	QTY	NOTES
1	857-0651	Windscreen, front	1	Bolt-on style, Autocover ready .. Replaces AC02-A09-F
2	858-0164	Spill guard, top rubber, rear	1	Replaces AC1-0010
3	858-0182	Fall away flap, rubber, curbside	1	Replaces AC1-0015
4	-	NA	REF	
5	858-0951	Windscreen, streetside	1	Bolt-on style .. Replaces AC02-A09-S
6	FSP080950	Capscrew, 3/8-16X4.0" long	13	Grade 8 only .. Replaces CF-15119
7	055-3113	Washer, flat, 3/8"	30	Replaces CF-33815
8	047-2670	Nut, Nylock, 3/8-16	15	Replaces CF-37185
9	CF-0115115	Capscrew, 3/8-16x3.0" long	2	Grade 8 only
10	859-0039	Drill and Tap, 1/4x1.52	27	Replaces CF-31825
11	859-0040	Fender washer, 1/4x1.25"	27	Replaces CF-33208

INTENTIONALLY LEFT BLANK

SLIDE

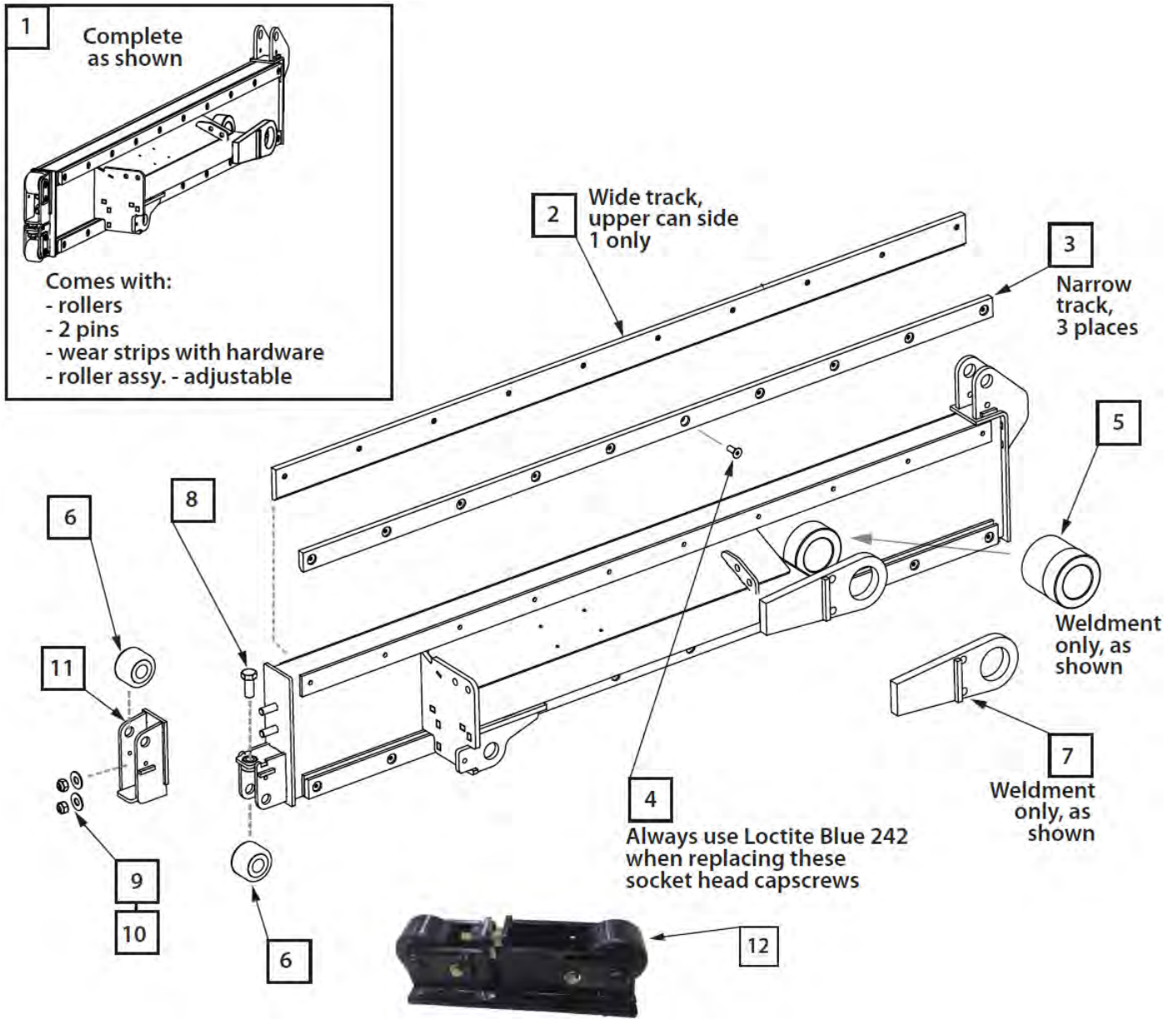
Curotto-Can SLIDE TRACK ASSEMBLY

Module# SE-20-01



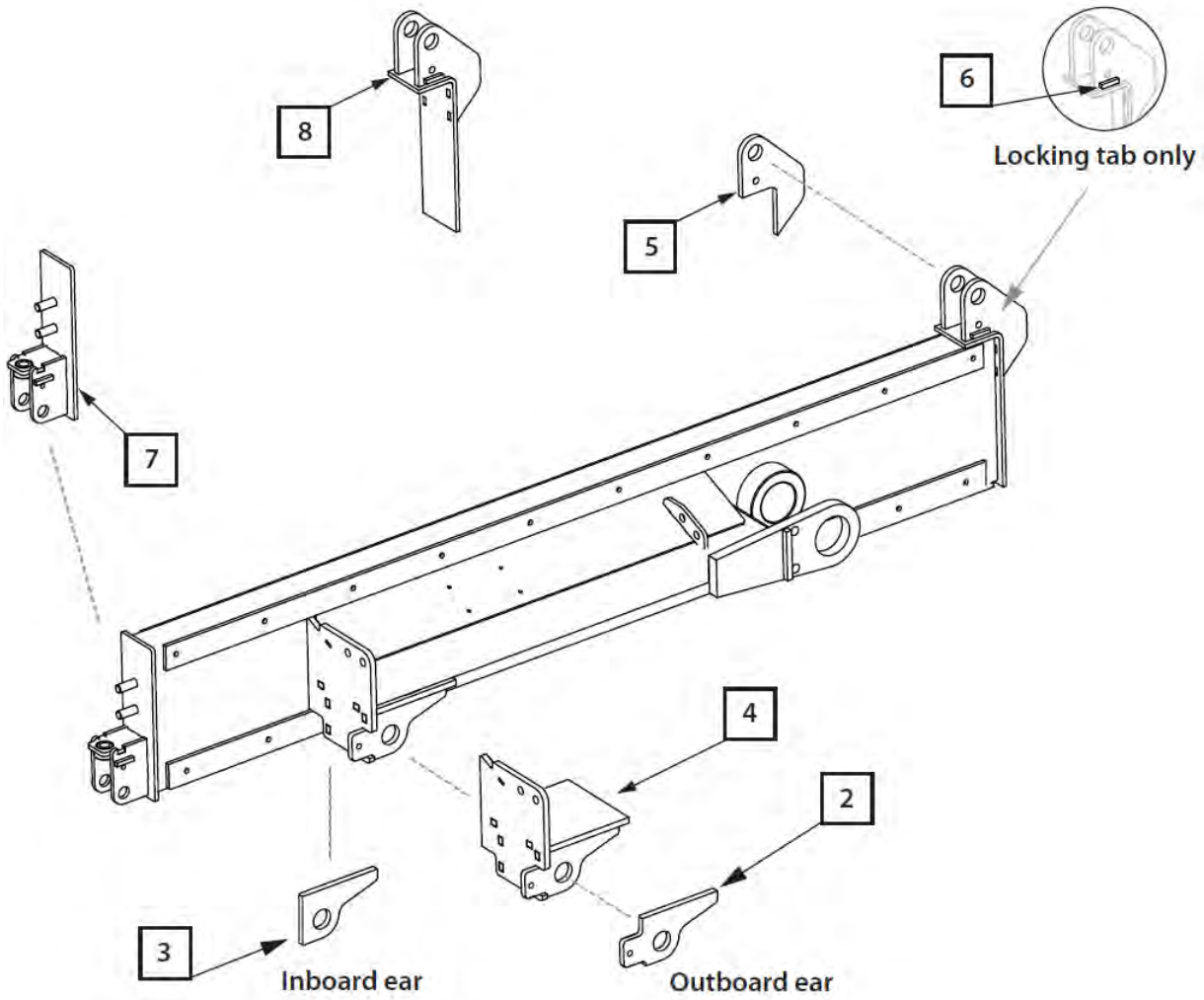
ITEM	PART NO.	DESCRIPTION	QTY	NOTES
1	857-0004	Pin, slide cylinder, barrel end	1	.. Replaces AC02-S11
2	859-0022	Roller, sealed, press fit	1	.. Replaces SE-400-5-1148-PF
3	857-0021	Pin, roller, slide track	1	.. Replaces SE-S16-PF
4	SE-A012	Slide track, base assembly	1	.. Comes with pin, roller & hardware
5	AC02-086-T	Bracket, mounting, slide cylinder	2	
6	CF-65127	Cotter Pin	1	
7	047-2670	Nut, Nylock, 3/8"	24	.. Do not reuse - always replace new
8	CF-0115107	Capscrew, 3/8"-16 X18 - 1&1/4" long	15	.. Use Grade 8 only
9	CF-1133816	Washer, flat, 7/16"	36	
10	055-3113	Washer, flat, 3/8"	4	.. Replaces CF-33815
11	THAS-6	Flat head, countersunk socket, 3/8"-16X7/8"	8	.. Use Grade 8 only
12	858-5074	Slide cylinder support cushion	1	.. Replaced SE-CYL-01
13	TC-3-4-R	Hose clamps	2	

Curotto-Can SLIDE WEAR STRIPS



ITEM	PART NO.	DESCRIPTION	QTY	NOTES
1	SE-A06	Slide, complete, ready to run	1	.. Comes with rollers, pins & wear strips
2	858-0061	Wear strip, nylon, 2.5" wide	1	.. Replaces ..AC02-058-T
3	858-0042	Wear strip, nylon, narrow	3	.. With chamfer .. Replaces AC02-058
4	FSP140920	Capscrew, flathead socket, 3/8"-16X1.0"	40	.. Replace with new- do not reuse (10) per track .. Replaces THAS-1
5	AC02-090	Collar, arm pivot, slide	1	.. Weldment only
6	859-0021	Roller, bearing, sealed, press fit	2	.. Replaces SE-0005-PF
7	AC02-067	Plate, rotate arm mount	1	.. Weldment only
8	CF-0118958	Capscrew, 5/8"-18 X 1.5" long	1	.. Grade 8 only
9	047-2673	Nut, 1/2" - 20 - Toplock	2	.. Grade 8 only ..Replaces CF 38084
10	CF-33817	Flat washer, 1/2"	2	.. Grade 8 only
11	857-5060	Roller assy., adjustable, upper	1	.. Replaces SE-ARB-UPPER
12	SE-ARB-RKT	Retrofit kit, adjustable roller, complete	1	

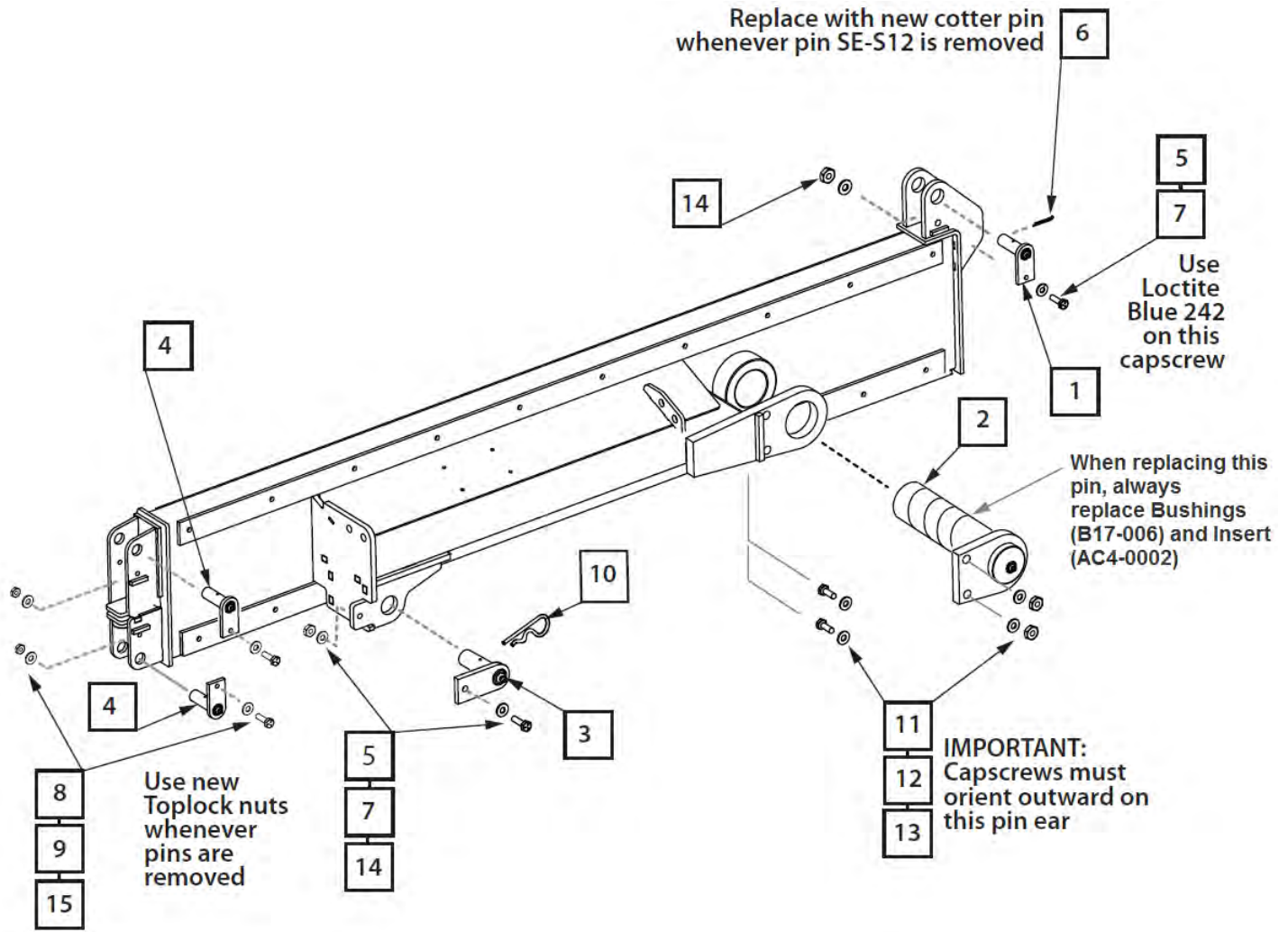
Curotto-Can SLIDE WELD-ON BRACKETS



NOTE: All parts shown on this page are weld parts

ITEM	PART NO.	DESCRIPTION	QTY	NOTES
1	-	NA	REF	
2	AC02-052-T-OB	Ear, outboard, cylinder mount	1	.. Weldment
3	AC02-052-T-IB	Ear, inboard, cylinder mount	1	.. Weldment
4	AC02-052-RB-T	Bracket, weldment only, cyl. mount	1	.. Weldment
5	SE-089-T	Ear, slide cylinder mount - rod end	2	.. Weldment
6	AC02-151	Locking Tab	2	.. Weldment
7	SE-ARB	Roller assy., adjustable, lower	1	.. Weldment
8	SE-A89-T	Cylinder bracket weldment	1	.. Weldment

Curotto-Can SLIDE PINS



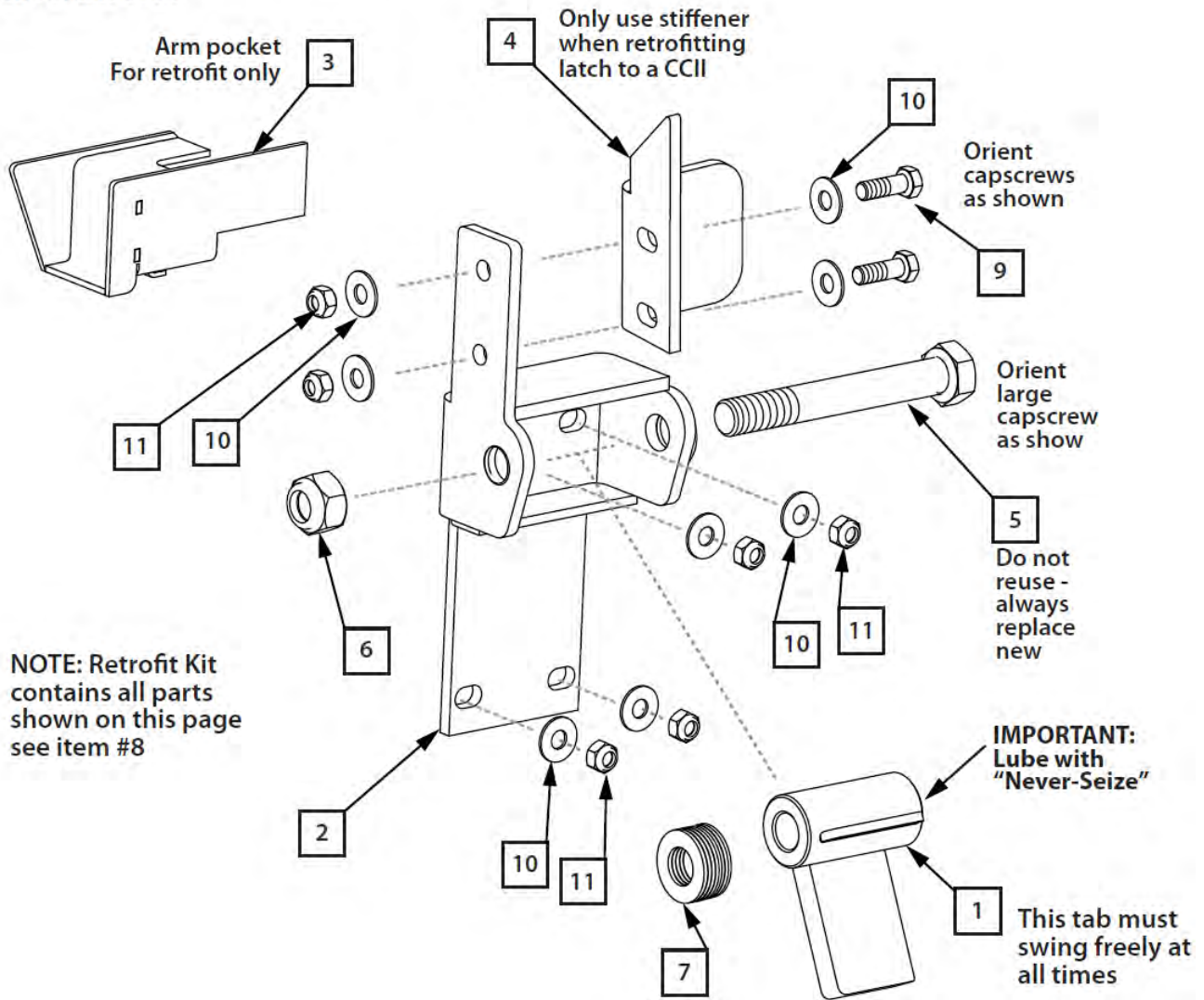
ITEM	PART NO.	DESCRIPTION	QTY	NOTES
1	857-5005	Pin, slide cylinder, shaft end	1	.. Replaces SE-S12
2	857-5164	Pin, arm pivot	1	.. Replaces AC02-S18
3	857-5006	Pin, lift cylinder, barrel end	1	.. Replaces SE-S13
4	857-5022	Pin, cam follower	2	.. Replaces SE-S17-PF
5	FSP080717	Capscrew, 3/8"-16 x 1.25" long	2	.. Grade 8 only .. Replaces CF-0115005
6	CF-65127	Cotter pin	1	
7	055-3113	Washer, flat, 3/8"	4	.. Replaces CF-33815
8	CF-15005	Capscrew, 1/4"- 20 x 1.0" long	2	.. Grade 8 only
9	CF-1133813	Washer, 1/4" flat	4	
10	859-0011	Hitch Pin	1	.. Replaces CF-45284
11	CF-15211	Capscrew, 1/2"-13 x 2.0" long,	2	.. Grade 8 only
12	423-2957	Nut, Toplock 1/2"- 13	2	.. Do not reuse, always replace new.. Replaces CF-38064
13	CF-1133817	Washer, flat, 1/2"	4	
14	047-2670	Nut, Toplock, 3/8"-16	2	.. Do not reuse, always replace new..Replaces CR-37185
15	423-2960	Locknut, 1/4"- 20	2	.. Do not reuse, always replace new .. Replaces CF-38060

INTENTIONALLY LEFT BLANK

ARM

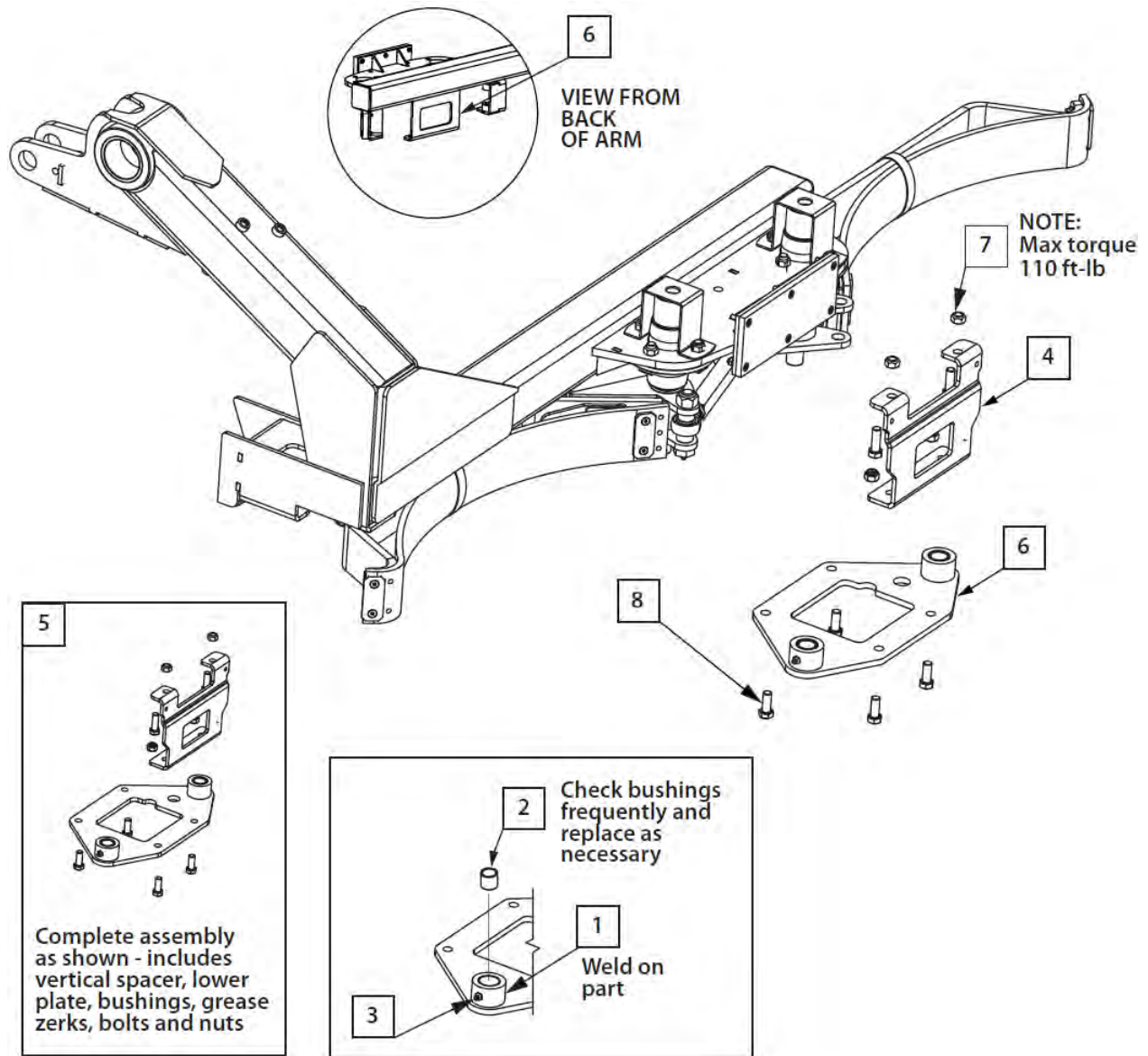
Curotto-Can ARM GRAVITY LATCH

IMPORTANT:
Refer to Torque Table at
the end of this book



ITEM	PART NO.	DESCRIPTION	QTY	NOTES
1	GH-001	Hinge	1	
2	GH-002	Bracket, can side	1	
3	GH-003	Pocket, welds on arm	1	.. Weldment
4	GH-004	Plate Stiffener	1	.. Use when retrofit to CCII only
5	CF-13478	Bolt, large, hinge	1	
6	CF-37045	Nut, Nylock, 1" course thread	1	
7	FSP522000	Washer, flat	8	.. Replaces CF-33096
8	GHKT-01	Retrofit Kit, complete	1	.. Includes Items: 1,2,3,4,5,6,7,9,10,11
9	CF-15209	Capscrew, 1/2-13 x 1.75 long	2	.. Grade 8 only
10	CF-33817	Washer, flat	8	
11	CF-38064	Nut 1/2" , Toplock	6	.. Grade 8 only . Replaces CF-38064

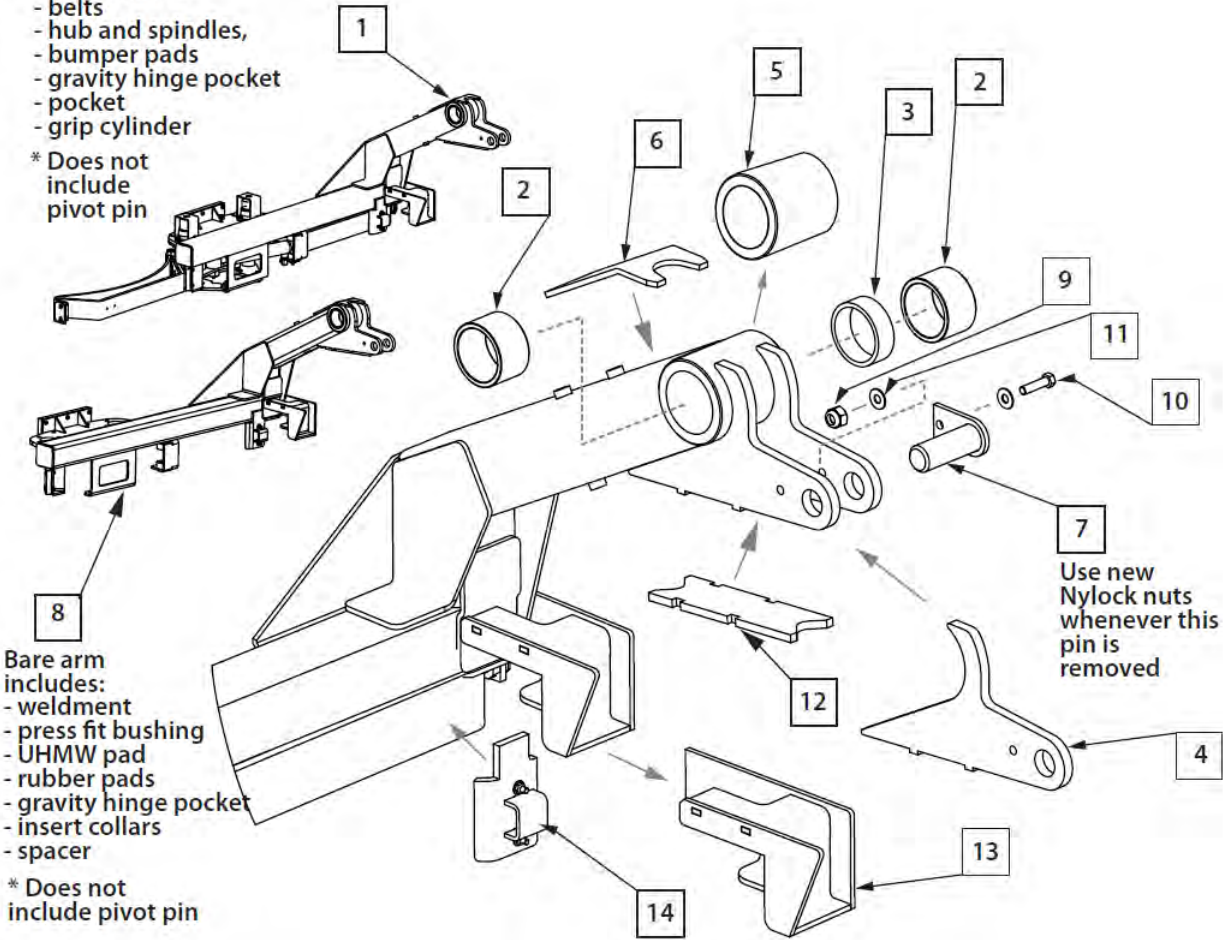
Curotto-Can ARM DOGBONE



ITEM	PART NO.	DESCRIPTION	QTY	NOTES
1	AC02-098	Collar, hub stabilizer	2	.. Weldment only
2	B17-0007	Bushing, tension	2	
3	FS190400	Grease zerk, 1/8" MIP	2	.. Replaces CF-60102
4	AC02-S21-F	Spacer, vertical, dogbone	1	
5	SE-S21	Dogbone assembly, new style, complete	1	.. Includes Items 4,6,7, & 8
6	AC02-S21-300	Bracket, dogbone mount	1	.. Weldment Only
7	423-2957	Nut, Toplock, 1/2"	4	.. Replaces CF-38064
8	CF-0115207	Capscrew, 1/2"-13X1.25" long	2	.. Grade 8 only

Curotto-Can ARM PIVOT BEARING & LIFT CYL. PIN

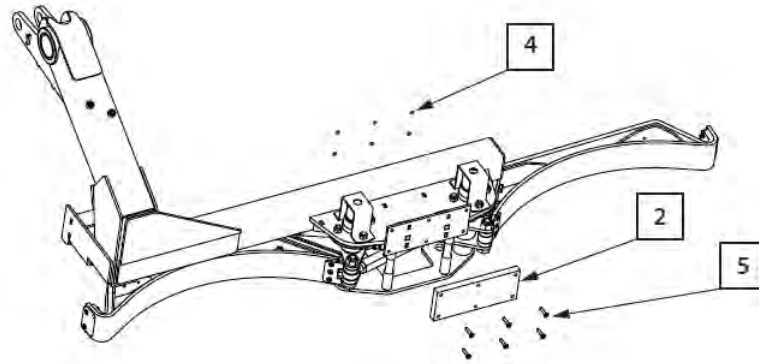
Complete arm (ready to run) includes:
 - bearing race
 - belts
 - hub and spindles,
 - bumper pads
 - gravity hinge pocket
 - pocket
 - grip cylinder
 * Does not include pivot pin



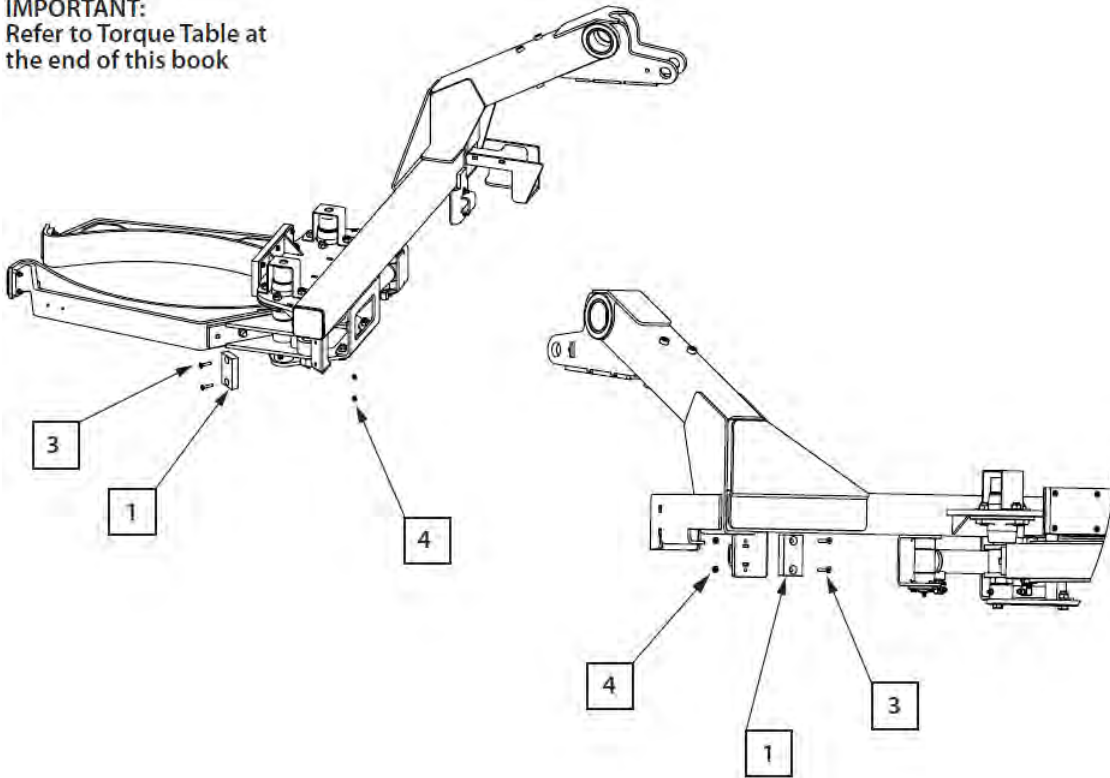
Bare arm includes:
 - weldment
 - press fit bushing
 - UHMW pad
 - rubber pads
 - gravity hinge pocket
 - insert collars
 - spacer
 * Does not include pivot pin

ITEM	PART NO.	DESCRIPTION	QTY	NOTES
1	SE-A005	Arm, complete	1	Ready to run
2	859-0016	Bushing, press fit, arm pivot	2	Replaces B17-0006
3	858-0128	Insert, collar pivot	1	Replaces AC4-0002
4	AC02-049-T	Bracket, lift cyl., shaft end mount	2	Weldment only, T-1 steel
5	AC02-041	Collar, pivot arm	1	
6	AC1-0012	Plate, upper	1	Weldment only, T-1 steel
7	AC4-A002	Pin, lift cylinder, shaft end	1	
8	SE-S08	Arm, basic assembly	1	
9	047-2670	Nut, Nylock, 3/8"-16	1	Do not reuse - replace new ..Replaces CF-37185
10	CF-0115109	Capscrew, 3/8"-16 X1.5" long	1	Grade 8 only
11	055-3113	Washer, flat, 3/8"	2	Replaces CF-33815
12	AC4-0009	Plate, lower	1	Weldment only
13	GH-003	Gravity hinge pocket	1	Weldment only, T-1 steel
14	AC02-121-SE	Hose bracket	1	Weld on

Curotto-Can ARM BUMPER PADS



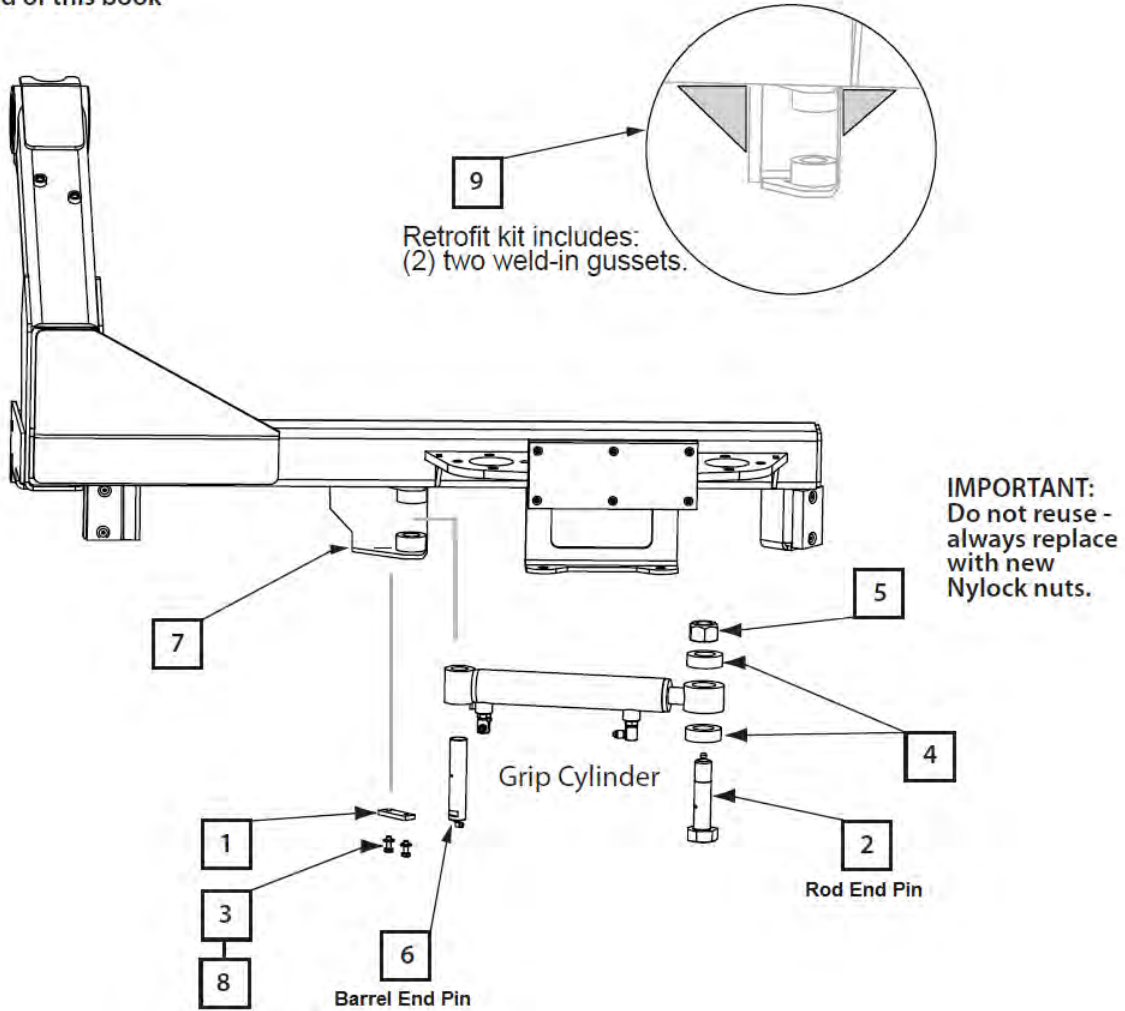
IMPORTANT:
Refer to Torque Table at
the end of this book



ITEM	PART NO.	DESCRIPTION	QTY	NOTES
1	AC02-036	Pad, rubber, arm	2	
2	SE-034	Pad, UHMW, cart	1	
3	THAS-3	Capscrew, 1/4"-20 X 1.25" long	4	.. Grade 8 only - stainless
4	423-2960	Nut, Toplock, 1/4"-20	12	.. Do not reuse - always replace new .. Replaces CF-38060
5	THAS-2	Capscrew, 1/4"-20 X 1.0" long	6	.. Grade 8 only - stainless

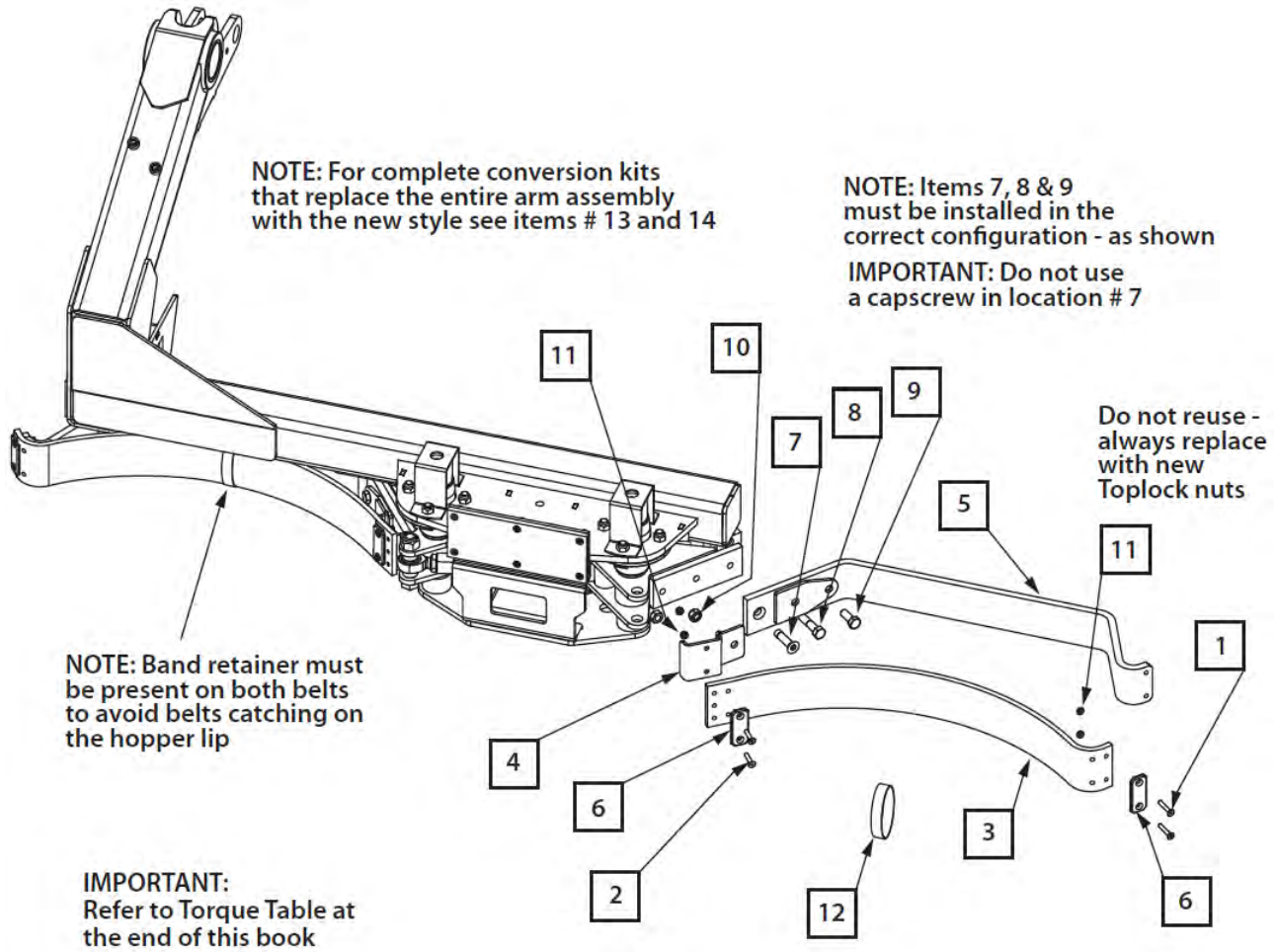
Curotto-Can ARM GRIP CYLINDER PINS

IMPORTANT:
Refer to Torque Table at
the end of this book



ITEM	PART NO.	DESCRIPTION	QTY	NOTES
1	AC02-028	Retainer, pin cylinder, barrel end	1	
2	AC02-S09	Pin, grip cylinder, rod end	1	
3	CF-0115003	Capscrew, hex, 1/4 - 12 X .75 long	2	.. Use Grade 8 only
4	AC02-023-M	Spacer, top and bottom	2	
5	LN-8001-PL	Nut, Toplock	1	.. Do not reuse - always replace new
6	AC02-S10	Pin, grip cylinder, barrel end	1	
7	SE-029	Bracket, mount, grip cylinder	1	.. Weldment
8	CF-1133813	Washer, flat, 1/4"	2	
9	AC02-029-KT	Field retrofit kit	1	.. Includes 2 weld-in gussets

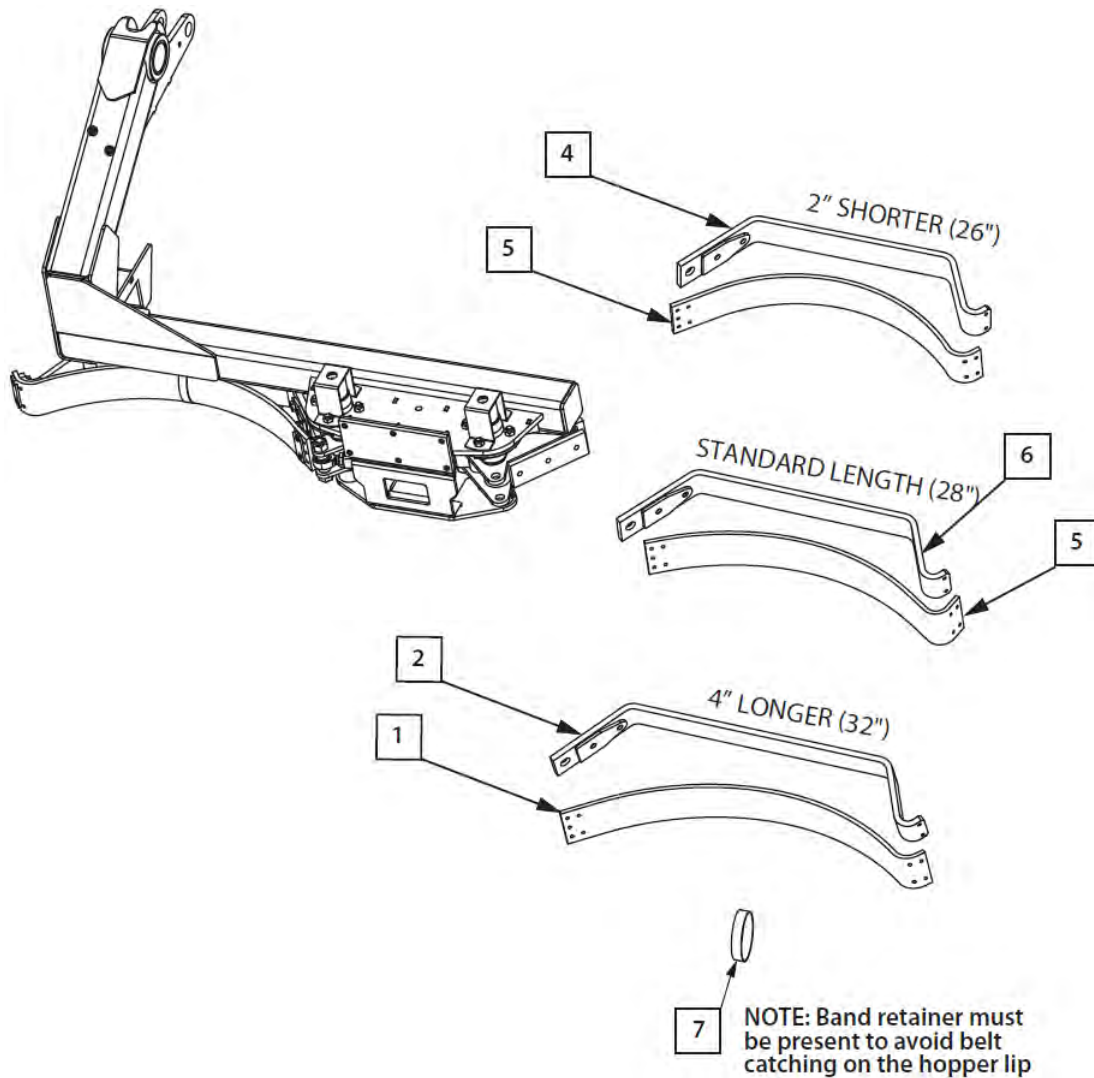
Curotto-Can ARM BELTS & BUCKLES



ITEM	PART NO.	DESCRIPTION	QTY	NOTES
1	THAS-3	Flat head socket, 1/4"- 20 x1.50" long	4	Do not reuse - always replace new
2	THAS-2	Flat head socket, 1/4"- 20 x 1.00" long	4	Do not reuse - always replace new
3	AC02-008	Belt, rubber, standard length	2	
4	SE-S04	Buckle, belt assembly, new style	2	
5	AC4-A001	Arm, gripper, standard length	2	Safety yellow
6	AC02-140	Plate, belt retainer	4	
7	FSP141126	Flat head socket, 1/2"-13X2.0" long	2	Replaces THAS-4
8	CF-15211	Capscrew, 1/2"-13X2.0" long	2	Use Grade 8 only
9	CF-0115207	Capscrew, 1/2"-13X1.25" long	2	Use Grade 8 only
10	423-2957	Nut, Toplock, 1/2"	6	Do not reuse - always replace new Replaces CF-38064
11	423-2960	Nut, Toplock, 1/4"	8	Do not reuse - always replace new ..Replaces CF-38060
12	858-0102	Band retainer, industrial rubber	2	Holds the belt to the gripper arm .. ReplacesAC02-008-BR
13	SE-S04-KT-F	Complete conversion kit, front only	1	Kit comes with items 1, 2, 4, and 6
14	SE-S04-KT-R	Complete conversion kit, rear only	1	Kit comes with items 1, 2, 4, and 6 and

Qty 2 of SE-SP-RI-300

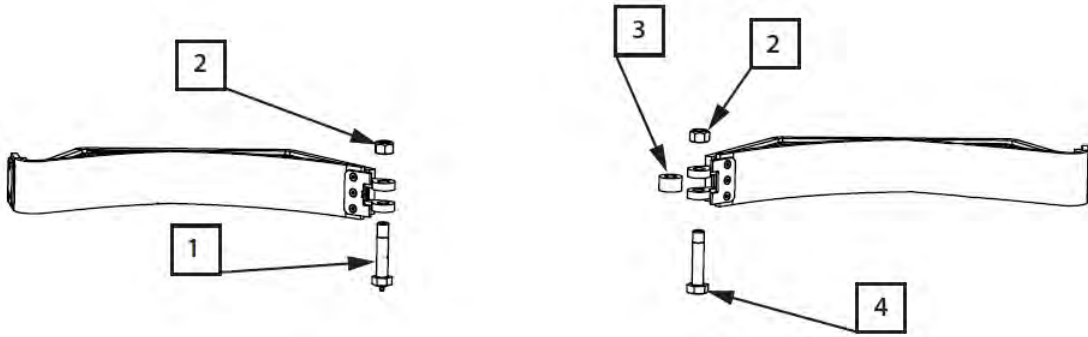
Curotto-Can ARM OPTIONAL GRIP ARMS



ITEM	PART NO.	DESCRIPTION	QTY	NOTES
1	AC02-008-4	Belt, rubber	2	4" longer
2	AC4-A001-4	Arm, gripper	2	4" longer - Safety yellow
3	-	NA	REF	
4	HUTZ-SG	Arm, gripper	2	2" shorter - Safety yellow
5	AC02-008	Belt, rubber, standard length	2	Standard
6	AC4-A001	Arm, gripper, standard length	2	Standard - Safety yellow
7	858-0102	Band retainer, industrial rubber	1	Holds the belt to the gripper arm.. Replaces AC02-008-BR

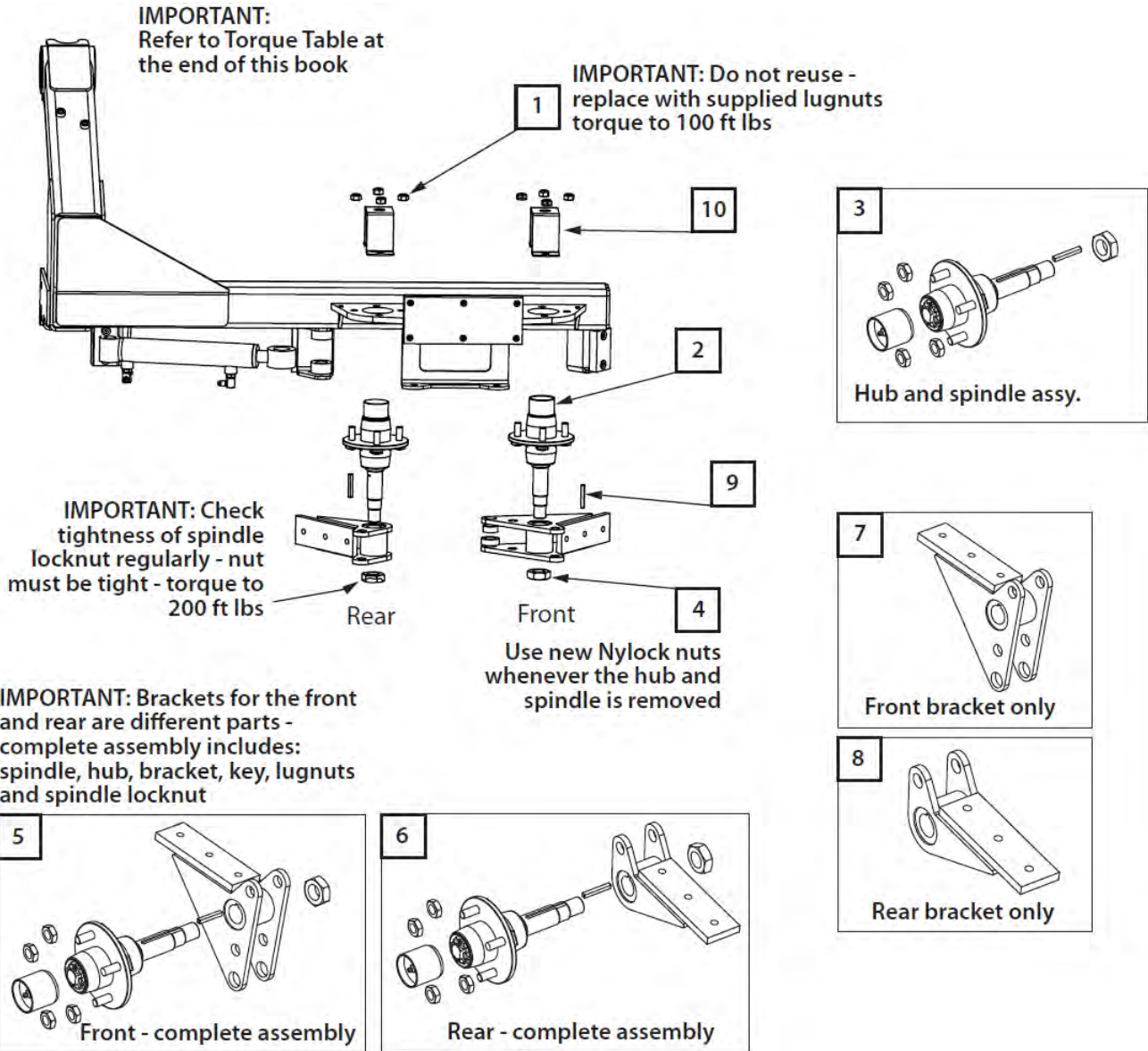
Curotto-Can ARM ARM PINS AND SPACERS

IMPORTANT:
Refer to Torque Table at
the end of this book when
tightening the Toplock nuts



ITEM	PART NO.	DESCRIPTION	QTY	NOTES
1	AC02-S23	Pin, rear belt	1	
2	LN-8075-PL	Nut, Toplock, 3/4"	2	.. Do not reuse - always replace new
3	AC02-022	Spacer, front belt	1	
4	AC02-144	Pin, front belt	1	

Curotto-Can ARM HUB & SPINDLES



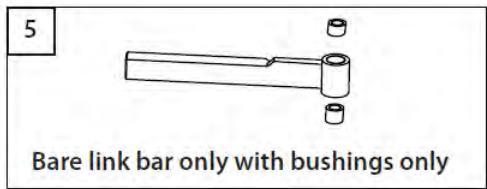
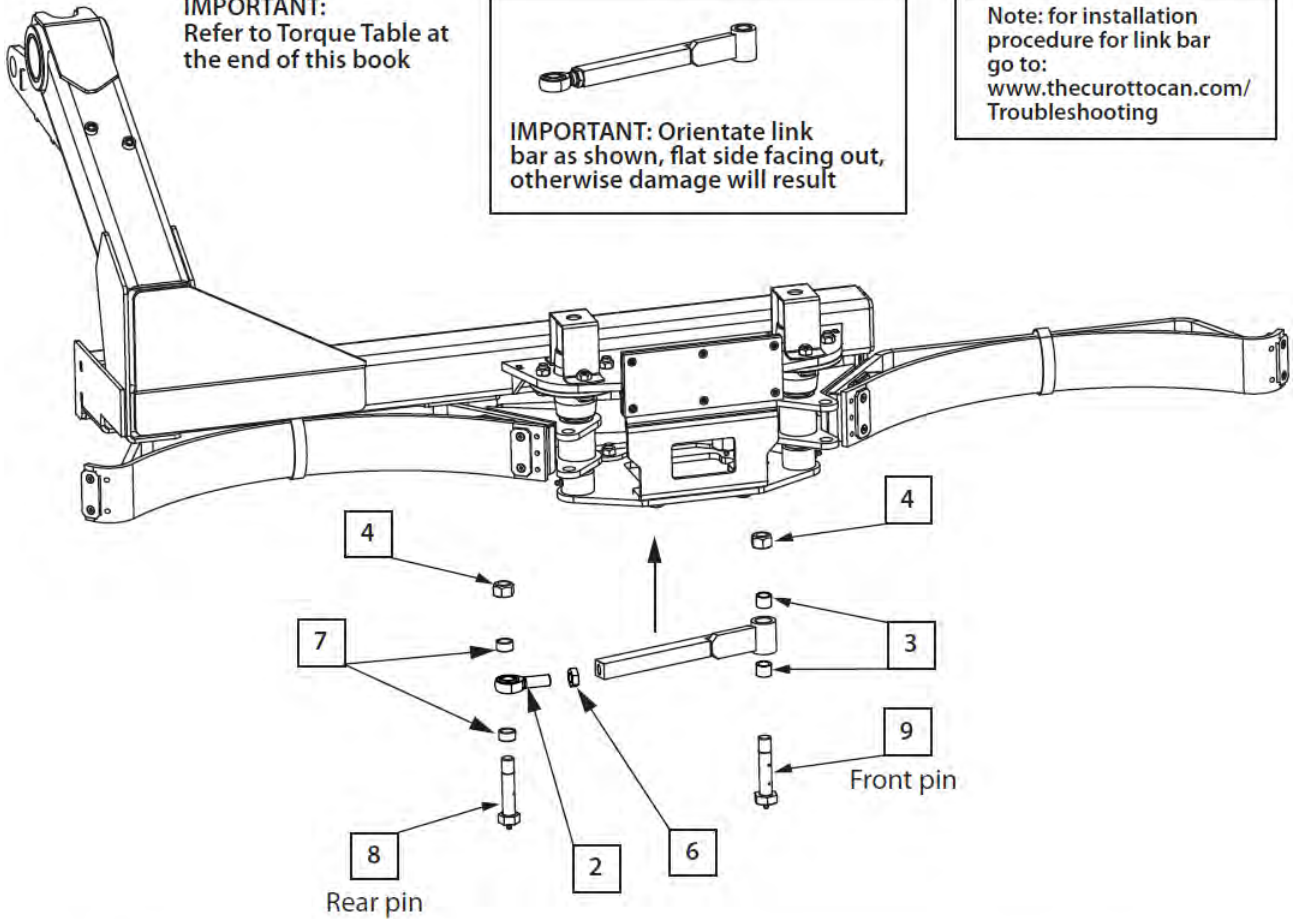
ITEM	PART NO.	DESCRIPTION	QTY	NOTES
1	LUGNUT - 1/2"	Lugnut, 1/2"	8	Do not reuse - always replace new
2	S16-0572	Bearing Buddy	2	
3	AC02-021	Hub and spindle assembly	2	Complete as shown
4	LN-021	Locknut, spindle bottom, 1.125" X 12	2	
5	AC02-S31-T	Bracket and hub assembly, front	1	Complete assembly
6	AC02-S32-T	Bracket and hub assembly, rear	1	Complete assembly
7	ACO2-S33-T	Bracket only, front	1	
8	ACO2-S34-T	Bracket only, rear	1	
9	AC02-151	Key, square	2	
10	SE-BBC-01	Cover, Bearing Buddy	2	

Curotto-Can ARM LINK BAR & PINS

IMPORTANT:
Refer to Torque Table at
the end of this book



Note: for installation
procedure for link bar
go to:
[www.thecurottocan.com/
Troubleshooting](http://www.thecurottocan.com/Troubleshooting)



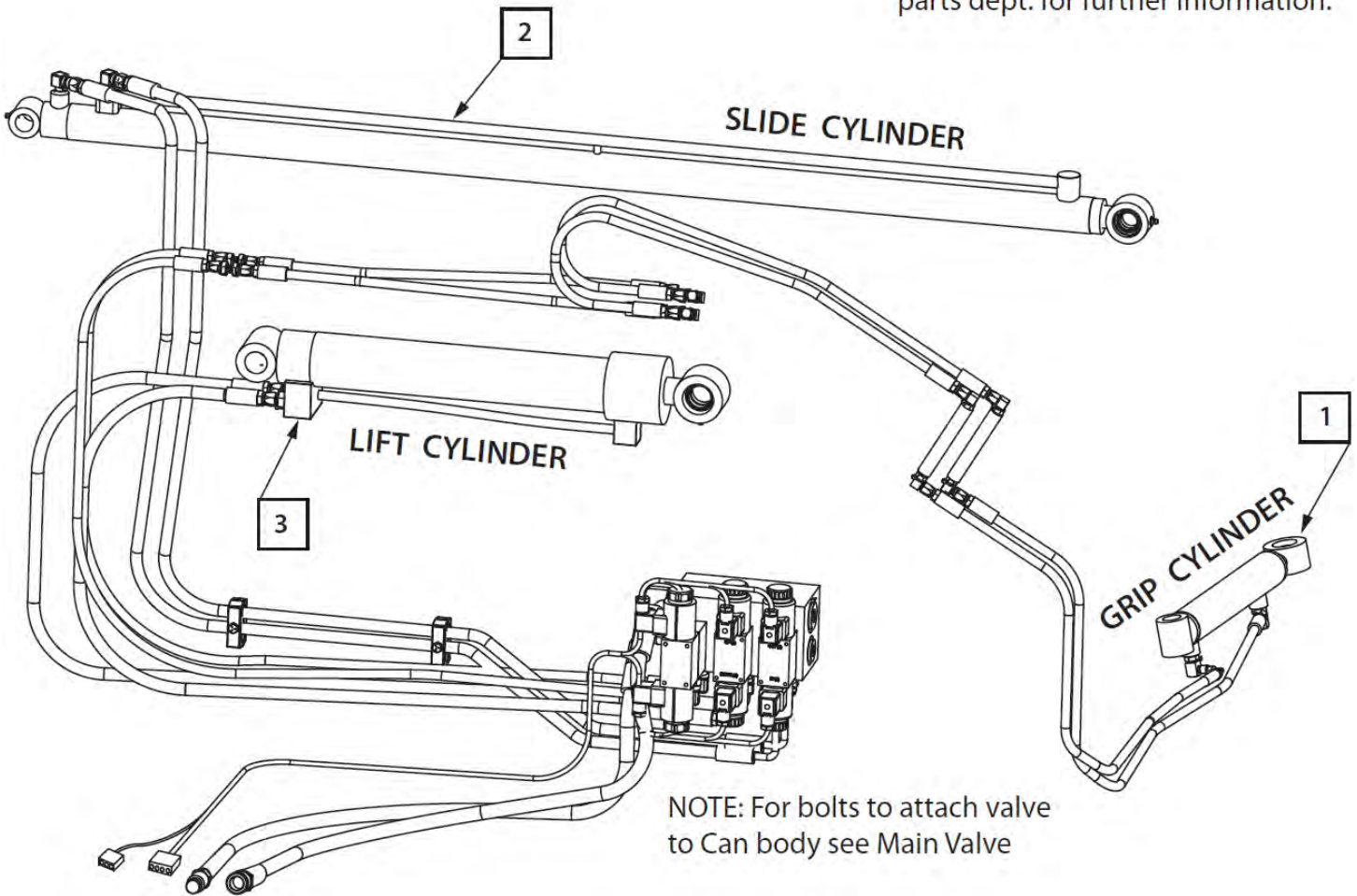
ITEM	PART NO.	DESCRIPTION	QTY	NOTES
1	AC02-DB22	Link bar, complete assembly	1	
2	B17-MRE	Heim joint, only, male	1	
3	B17-0004	Bushing	2	
4	LN-8075-PL	Nut, pin, Toplock	2	.. Do not reuse - replace new
5	DB-F01	Link bar, bare with bushings	1	
6	FN-8075	Nut, Nylock, jam nut	1	
7	SE-SP-RI-300	Bushing	2	
8	AC02-S23	Pin, link bar, rear	1	
9	AC4-A003	Pin, link bar, front	1	

INTENTIONALLY LEFT BLANK

HYDRAULIC

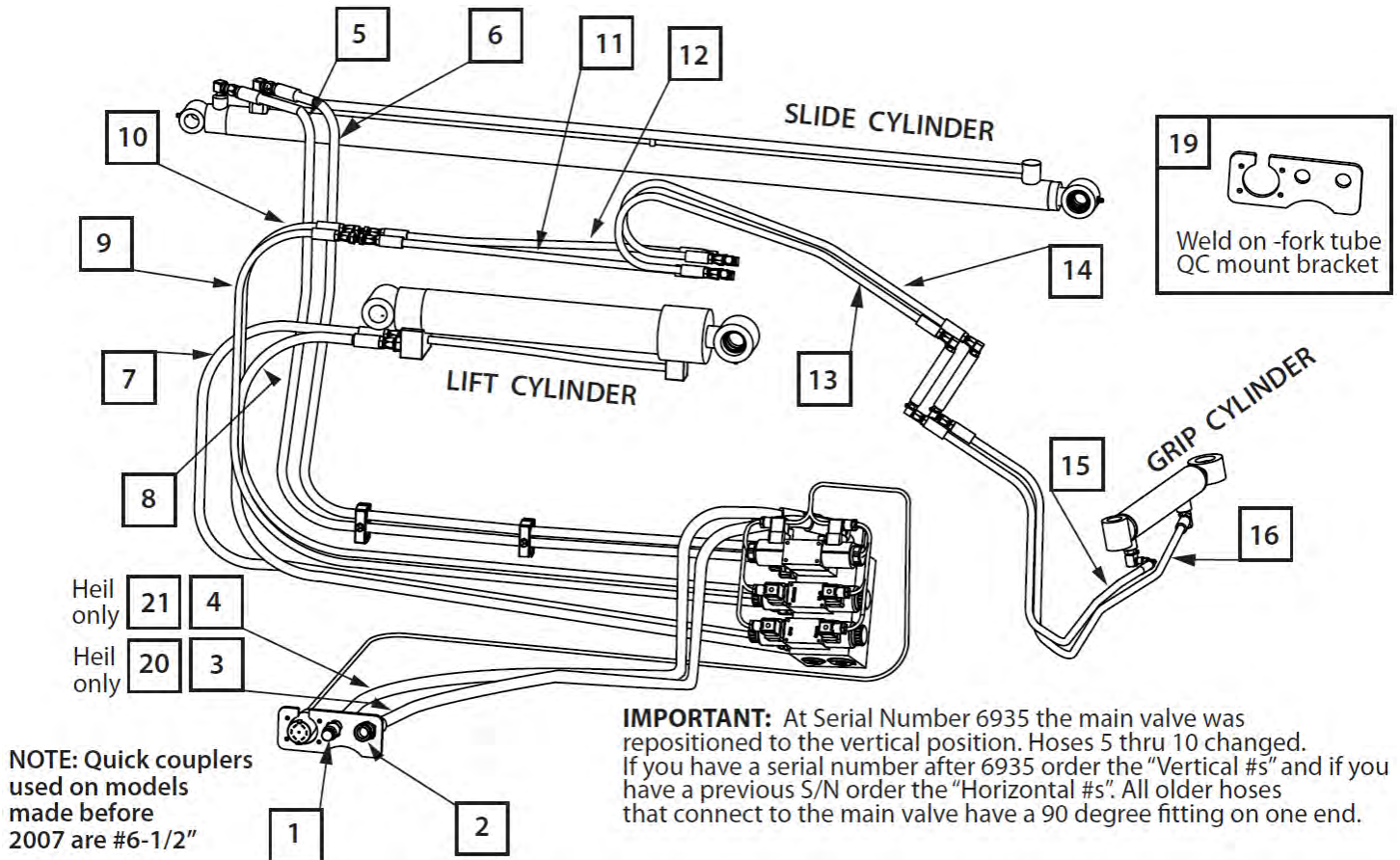
Curotto-Can HYDRAULIC CYLINDERS & SEAL KITS

NOTE: when ordering cylinder parts you will need to identify the cylinder manufacturer. Contact the parts dept. for further information.



ITEM	PART NO.	DESCRIPTION	QTY	NOTES
1	CCP-S19	Grip cylinder, complete	1	
2	001-7151	Slide cylinder, complete	1	.. Replaces Slide Cylinder CCP-S20
3	001-7163	Lift cylinder	1	.. Replaces Lift Cylinder CCP-S22
4	S16-0381	Seal kit, Mailhot grip cylinder	1	
5	S16-0382	Seal kit, Mailhot lift cylinder	1	
6	S16-0383	Seal kit, Mailhot slide cylinder	1	
7	CCP-SK-2	Seal kit, Prince lift cylinder	1	
8	CCP-SK-0	Seal kit, Prince slide cylinder	1	
9	CCP-SK-9	Seal kit, Prince, grip cylinder	1	

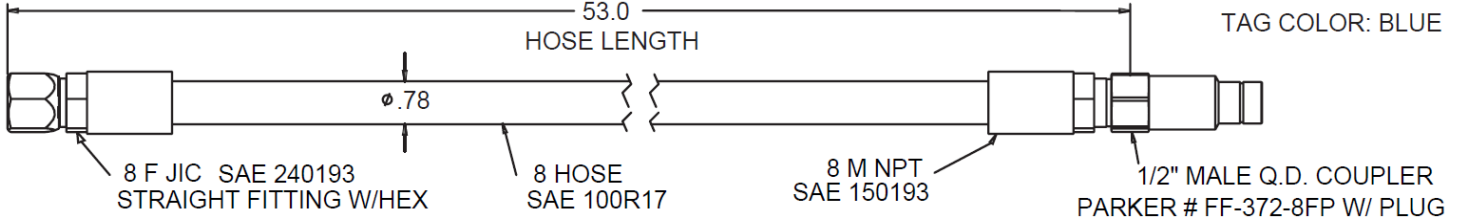
Curotto-Can HYDRAULIC HOSES



ITEM	VERT PN	HORIZ PN	DESCRIPTION	QTY	NOTES
1	045-1391-002		Quick coupler, female - No. 8 - 1/2"	1	Pressure .. Replaces QC-F-1-2
2	045-1391-001		Quick coupler, male - No. 8 - 1/2"	1	Return .. Replaces QC-M-1-2
3	HH-35		Hose, coupler to main valve	1	Blue, individual hose
4	HH-34		Hose, coupler to main valve	1	Red, individual hose
5	HH-51C	HH-51	Hose, slide, extend	1	Brown, individual hose
6	HH-27E	HH-27	Hose, slide, retract	1	Orange, individual hose
7	HH-28F	HH-28	Hose, lift, retract	1	Purple, individual hose
8	HH-52D	HH-52	Hose, lift, extend	1	Gray, individual hose
9	HH-29F	HH-29	Hose, grip, extend	1	Green, individual hose
10	HH-53D	HH-53	Hose, grip, retract	1	Yellow, individual hose
11	HH-31		Hose, grip, extend	1	Green, individual hose
12	HH-55		Hose, grip, retract	1	Yellow, individual hose
13	HH-30		Hose, grip, extend	1	Green, individual hose
14	HH-54		Hose, grip, retract	1	Yellow, individual hose
15	HH-32		Hose, grip, extend	1	Green, individual hose
16	HH-50		Hose, grip, retract	1	Yellow, individual hose
17	PHKC-01		Hose kit, horizontal main valve, complete	1	Includes 3 thru 16
19	QC-01		Mounting bracket, welds on to fork tube	1	Mounts QCs & plug
20	HH-135		Hose, Heil only, coupler to main return	1	Blue
21	HH-135		Hose, Heil only, coupler to main pressure	1	Red
22	PHKC-01-R		Hose kit, vertical main valve, all hoses	1	Includes 3 thru 16

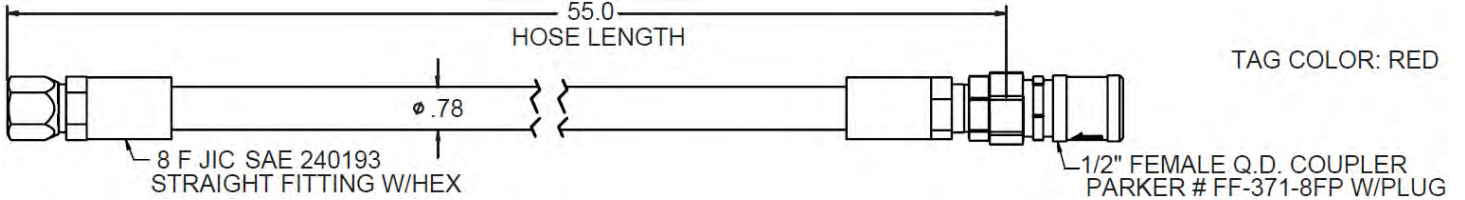
Curotto-Can HYDRAULIC REFERENCE INFO

HH-35D QUICK COUPLER TO MAIN VALVE



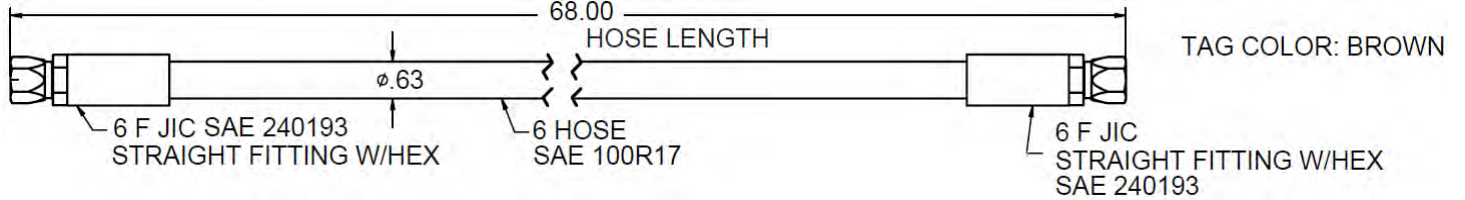
NOTE: For Heil HH-35 hose length is 81"

HH-34D QUICK COUPLER TO MAIN VALVE

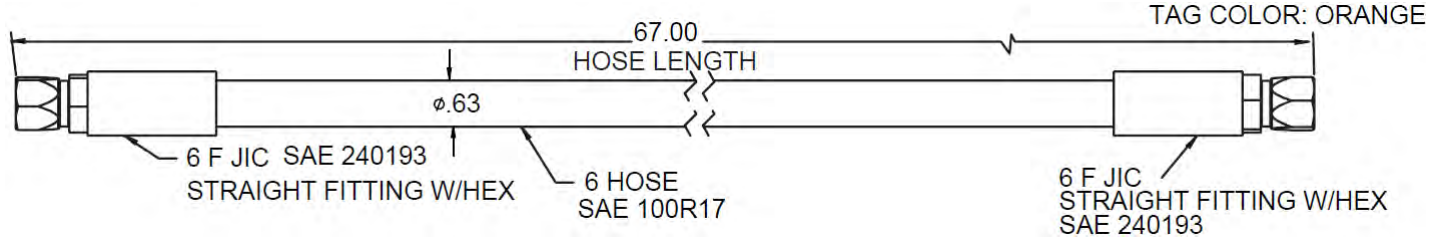


NOTE: For Heil HH-34 hose length is 83"

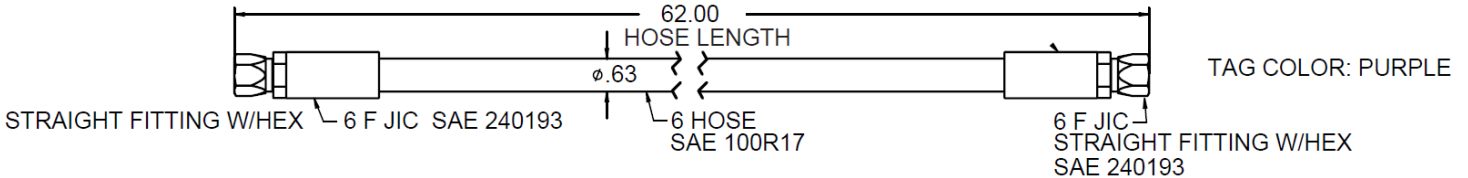
HH-51C SLIDE - EXTEND



HH-27E SLIDE - RETRACT

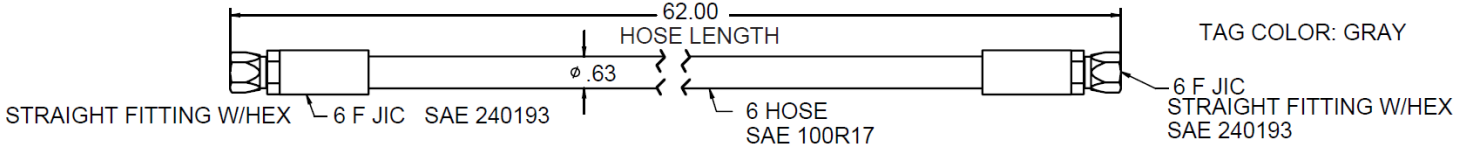


HH-28F LIFT - RETRACT

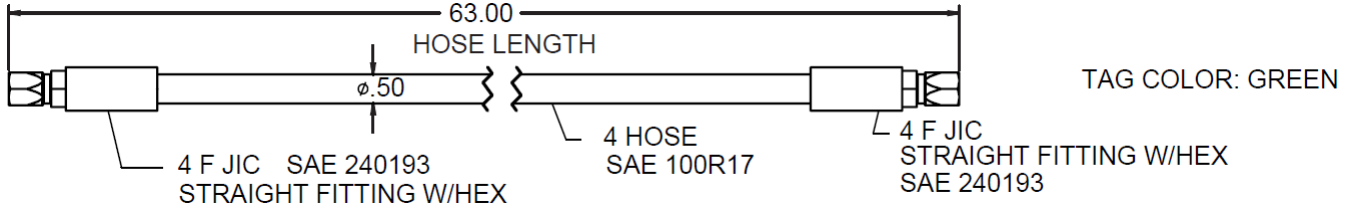


Curotto-Can HYDRAULIC REFERENCE INFO

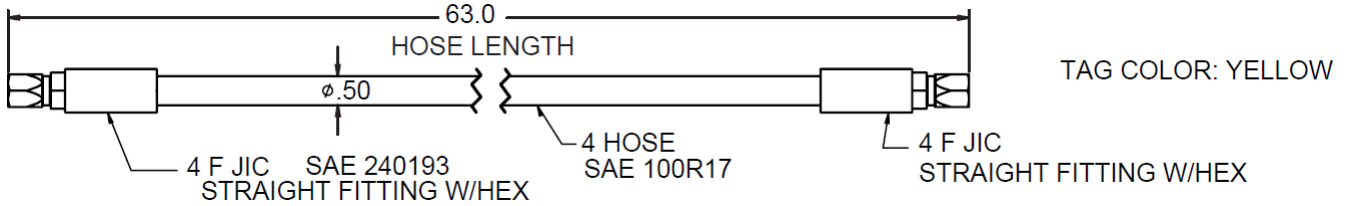
HH-52D LIFT – EXTEND



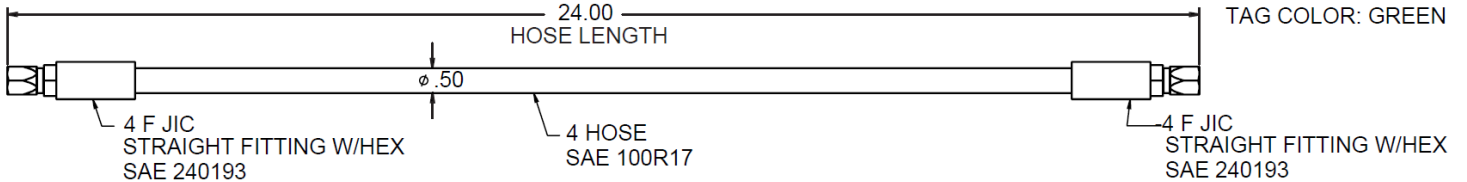
HH-29F GRIP – EXTEND



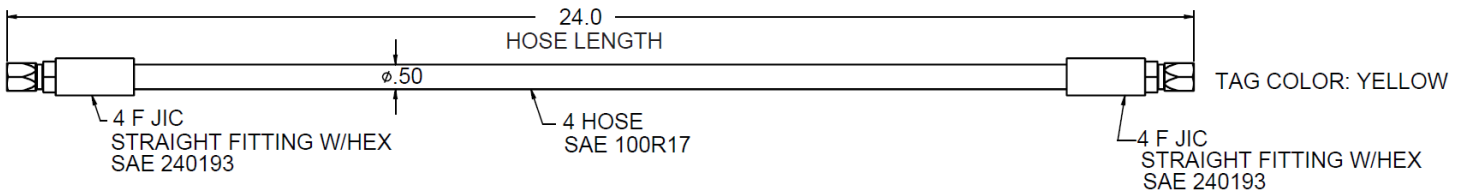
HH-53D GRIP – RETRACT



HH-31 GRIP – EXTEND

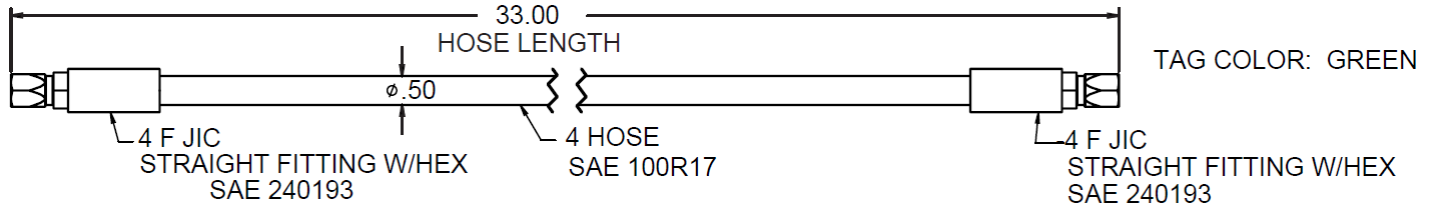


HH-55 GRIP – RETRACT

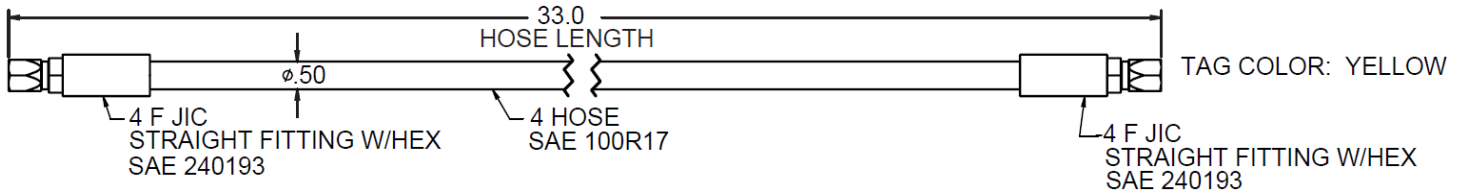


Curotto-Can HYDRAULIC REFERENCE INFO

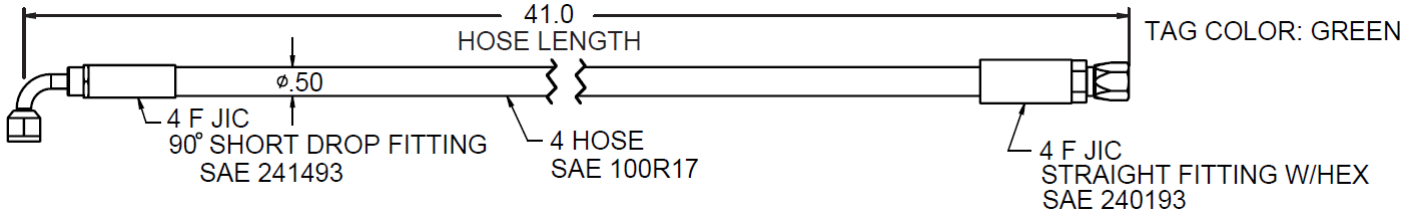
HH-30 GRIP - EXTEND



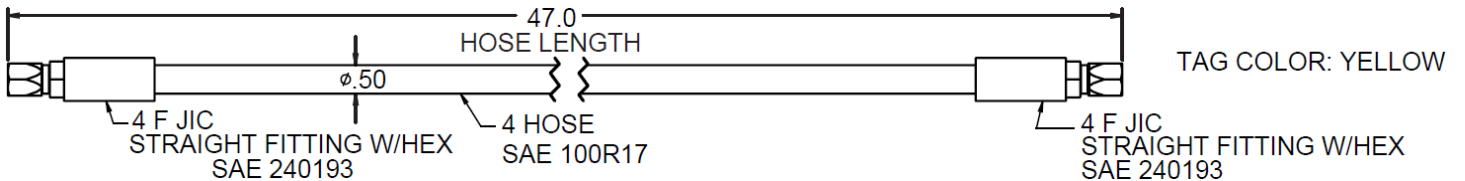
HH-54 GRIP - RETRACT



HH-32 GRIP - EXTEND



HH-50 GRIP - RETRACT

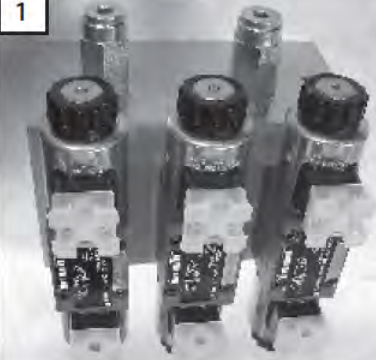


1. HYDRAULIC HOSE TO BE "DAYCO" AM E-Z FLEX PLUS (EXCEEDS SAE 100R17) OR EQUIVALENT.
WORKING PRESSURE: 3,000 PSI
SIZE 4 - MINIMUM BEND RADIUS: 1.50"
SIZE 6 - MINIMUM BEND RADIUS: 2.00"
SIZE 8 - MINIMUM BEND RADIUS: 3.50"
2. FITTINGS TO MEET SAE STANARD J516, 37 DEG FLARED FEMALE & NPT MALE END, AS SHOWN.
3. INSTALL COLORED CABLE TIE AT EACH END-COLOR AS NOTED. TRIM AFTER ASSEMBLY IS COMPLETE.

Curotto-Can HYDRAULIC MAIN VALVE, HYDRAFORCE

IMPORTANT: THESE PARTS FOR HYDRAFORCE VALVES ONLY

1



Complete valve bank with:

- grip relief
- main relief

Grip set at 1800 psi.
Main set at 2200 psi.

PORTING:


- "T" IS ORB 16
- ALL OTHER PORTS ARE ORB 12

10


Grip relief
cartridge only

11

Main relief
cartridge only

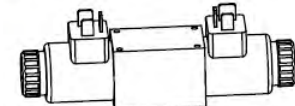


2




Nut only

3




Valve control unit only

4




Coil only

7



Din
connector
only



Side view:
Valve body
serial number
location

5



Bolt kit for control valve

6

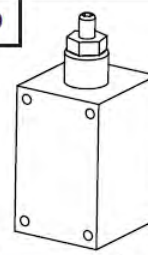


Seal kit

8



9

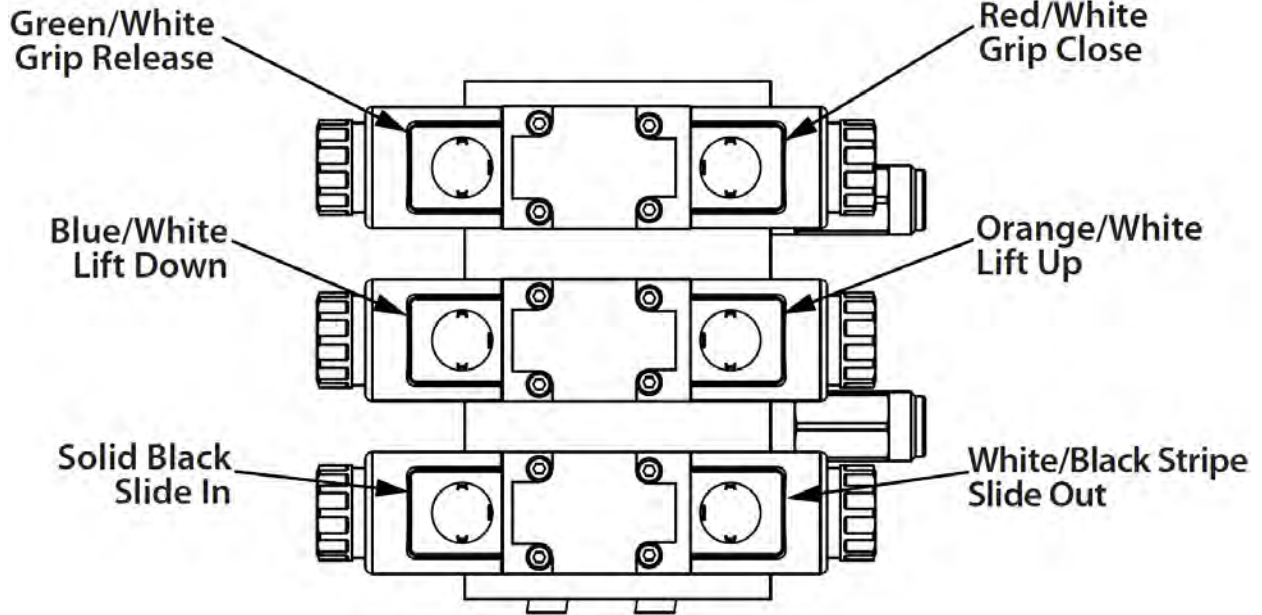


Pressure reducing
valve - only for
older models

ITEM	PART NO.	DESCRIPTION	QTY	NOTES
1	859-0056	Valve bank, main, complete	1..	Replaces H03-05-04
2	RRCN-21	Nut, coil	6	
3	RRCV-01	Valve, control, complete unit	1 ..	3 per valve bank
4	RRC-11	Coil, din	6	
5	RRBK-41	Bolt kit, control valve, includes the (4) bolts ...	1 ..	Adapts Rexroth to Northman
6	RRSK-31	Seal kit, main valve, complete	1	
7	S16-0564	Din connector	1	
8	S16-0570	Contol valve (replaces Northman valve)	1 ..	Includes bolt kit - (4) bolts
9	RRCV-PRSV	Pressure reducing valve	1 ..	Only used on older models
10	H03-05-04-GR	Grip relief cartridge only	1	
11	H03-05-04-MR	Main relief cartridge only	1	

Curotto-Can HYDRAULIC HOOKUP INFORMATION

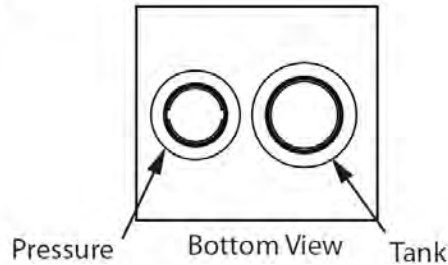
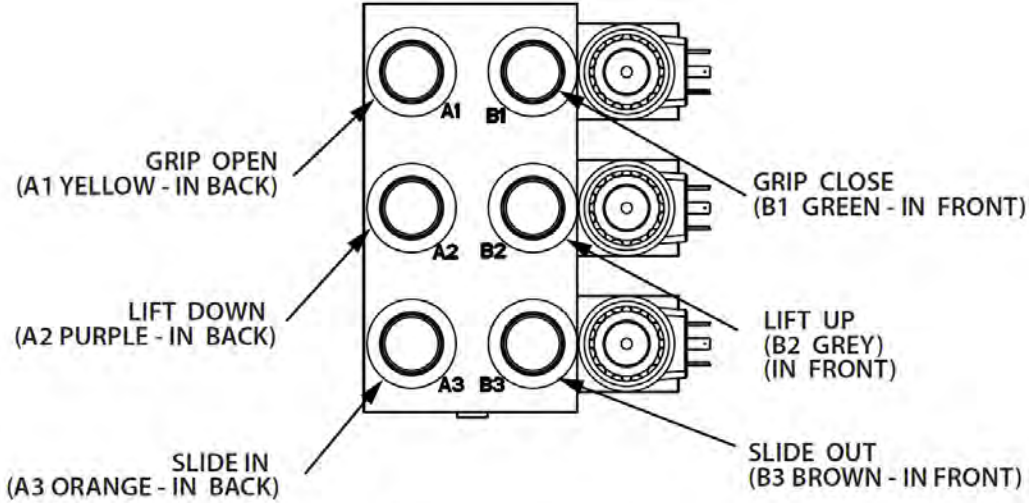
ELECTRICAL HOOKUP



RELIEF SETTINGS

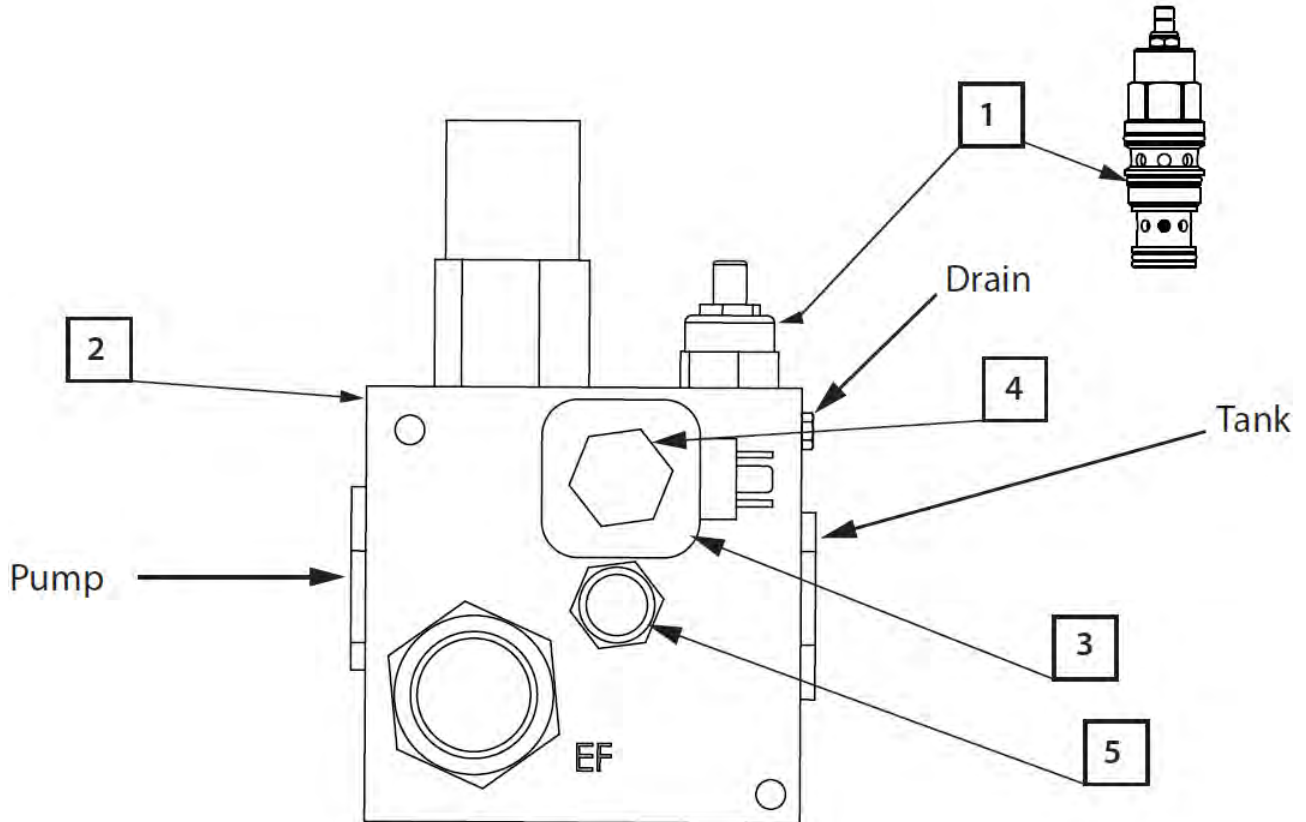
GRIP RELIEF: 1800 PSI MAIN RELIEF: 2200 PSI

HYDRAULIC HOOKUP



Curotto-Can HYDRAULIC INLINE PRIORITY DIVERTER

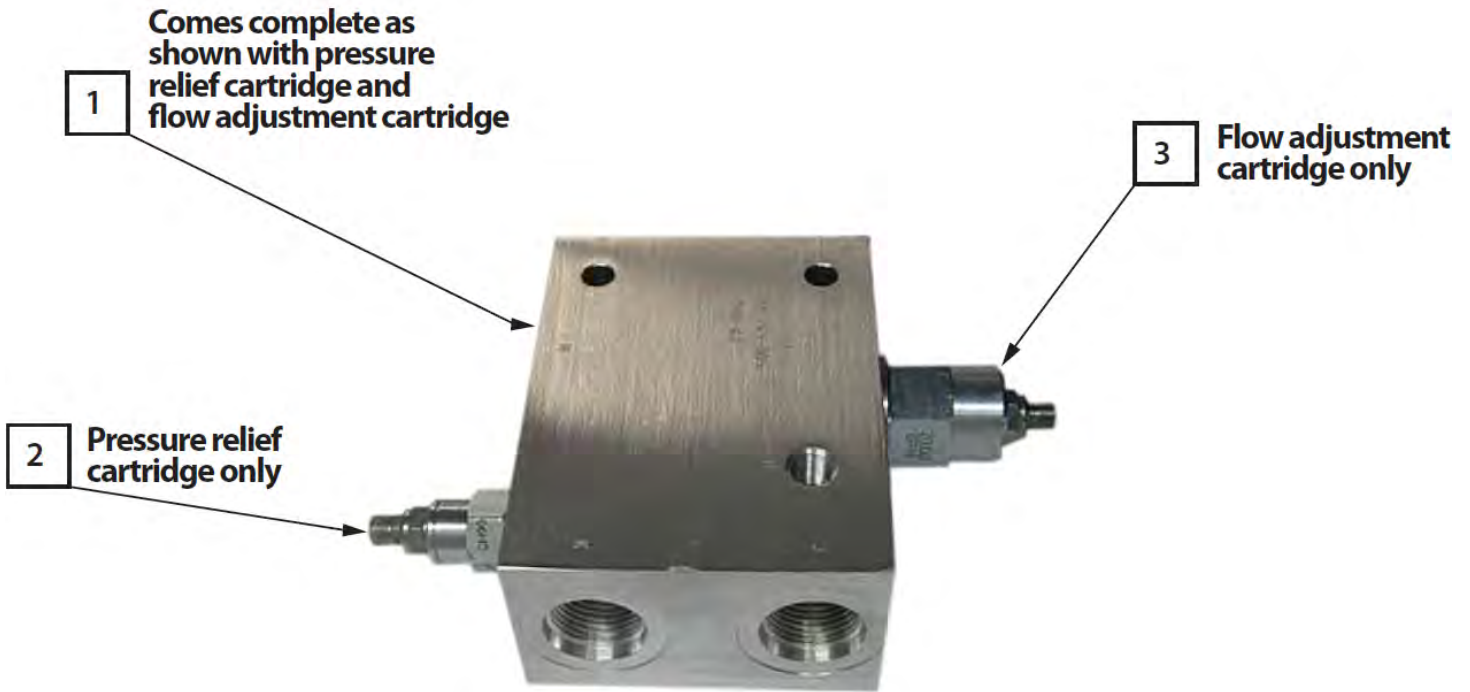
IMPORTANT: Applies only to installations with trucks retrofitted for a Curotto Can without a VA35 valve for oil supply



ITEM	PART NO.	DESCRIPTION	QTY	NOTES
1	R3-NV1	Cartridge, adjustable, flow control	1	.. 10 gpm min. - 12 gpm. max.
2	IL-4401-R3	Electronic inline priority diverter	1	
3	R3-C12V	12 volt coil for IL-4403-R3	1	
4	R3-SV1	Cartridge	1	
5	R3-RV1	Cartridge, non-adjustable, relief valve	1	

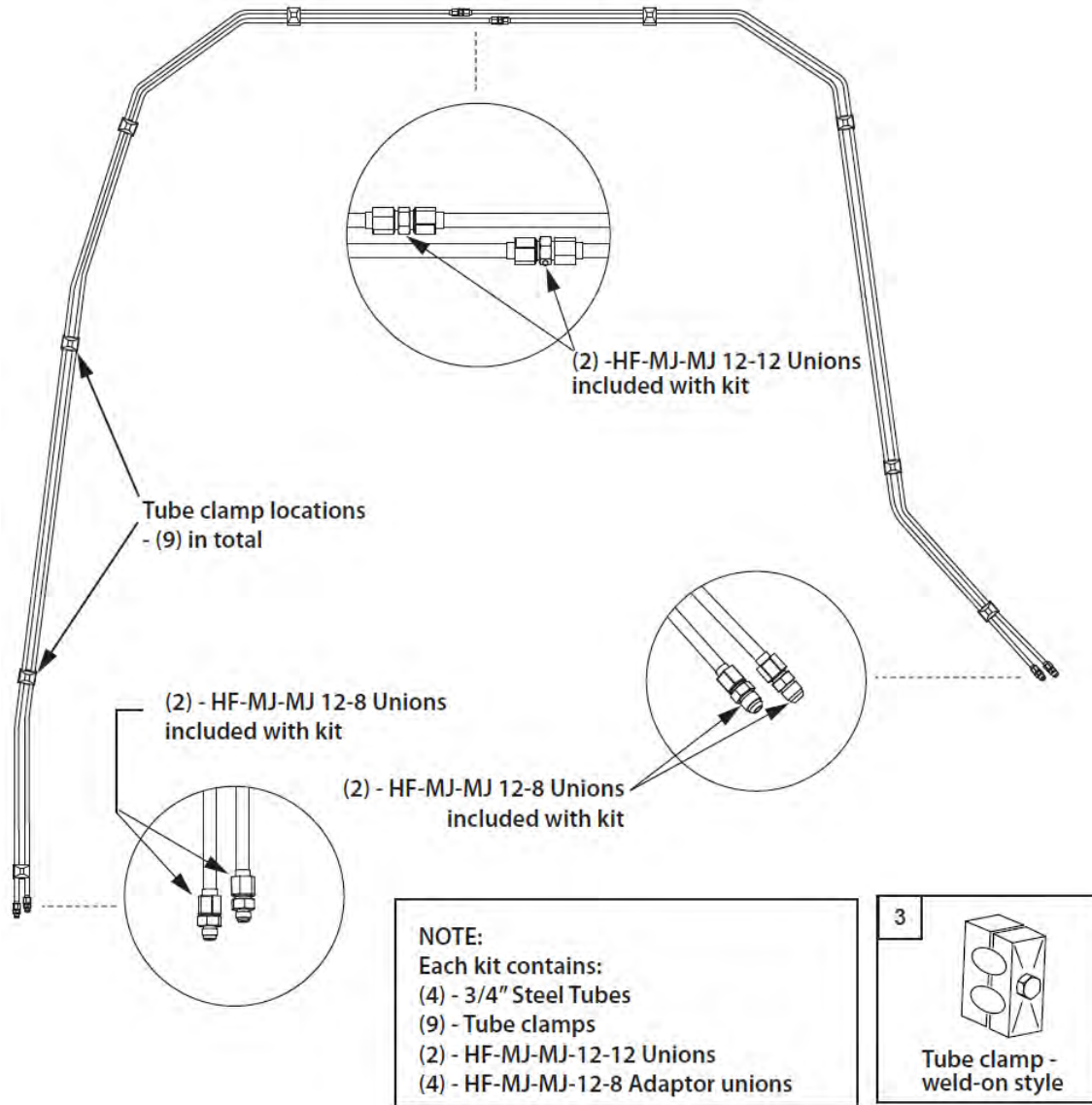
Curotto-Can HYDRAULIC PDM FLOW DIVIDER - MECH

Use this valve for Curotto Can Retrofits
when a VA35 valve is present to supply
oil to the Can



ITEM	PART NO.	DESCRIPTION	QTY	NOTES
1	PDM-112GPM	Priority diverter valve, 12GPM	1	.. Complete with cartridges
2	RPEC-LAN-FBA	Pressure relief cartridge only	1	
3	R3-NV1	Flow adjustment cartridge only	1	

Curotto-Can HYDRAULIC ARM TUBING

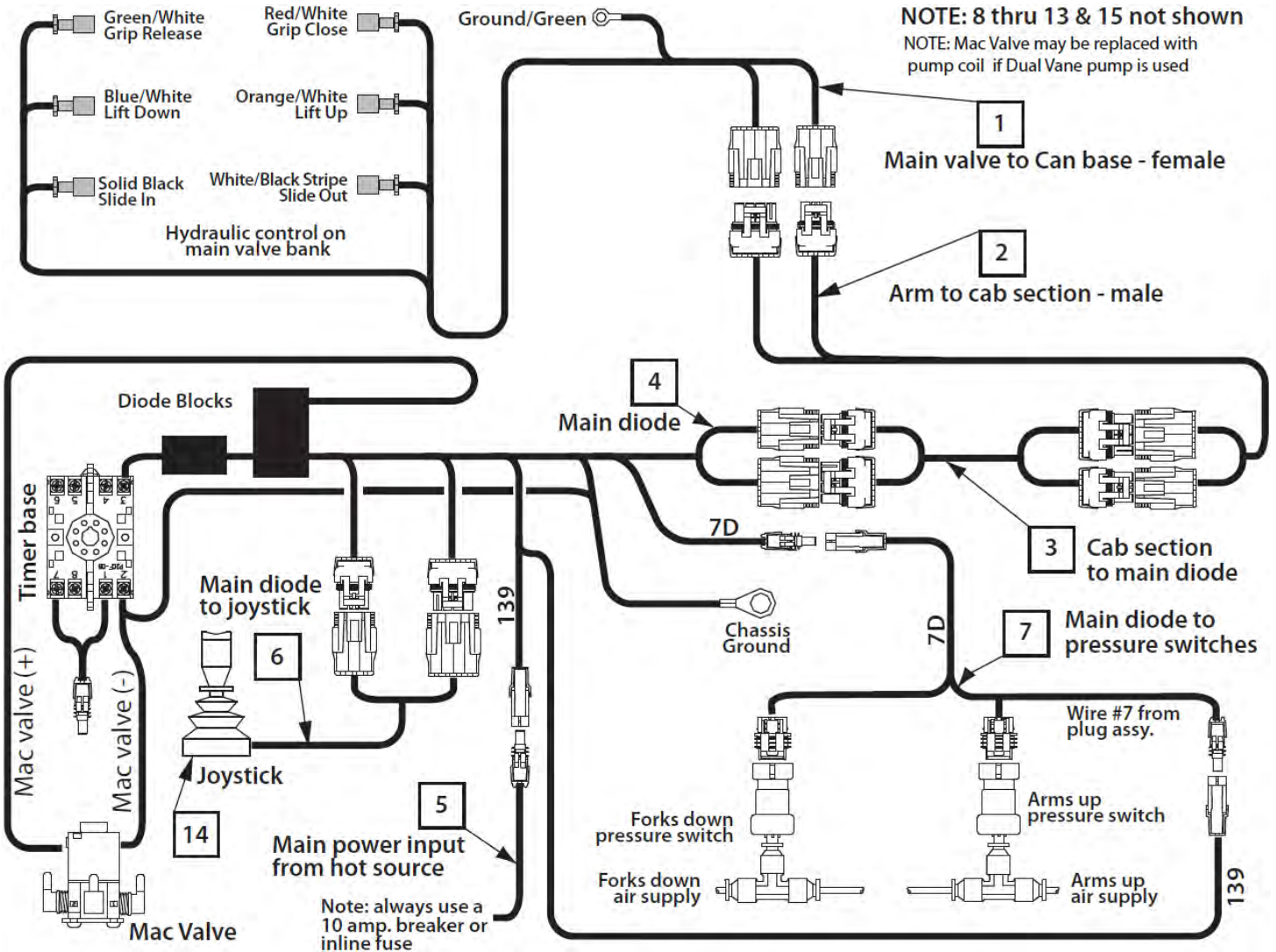


ITEM	PART NO.	DESCRIPTION	QTY	NOTES
1	HFLTK-01-H	3/4" steel tube set for Heil	1	
2	HFLTK-01-M	3/4" steel tube set for McNeilus	1	
3	036-1495-012	Tubing Clamp	9	.. Weld-on part .. Replaces TC-3-4
4	QC-KT	Quick Coupler Kit	9	.. Not shown above

INTENTIONALLY LEFT BLANK

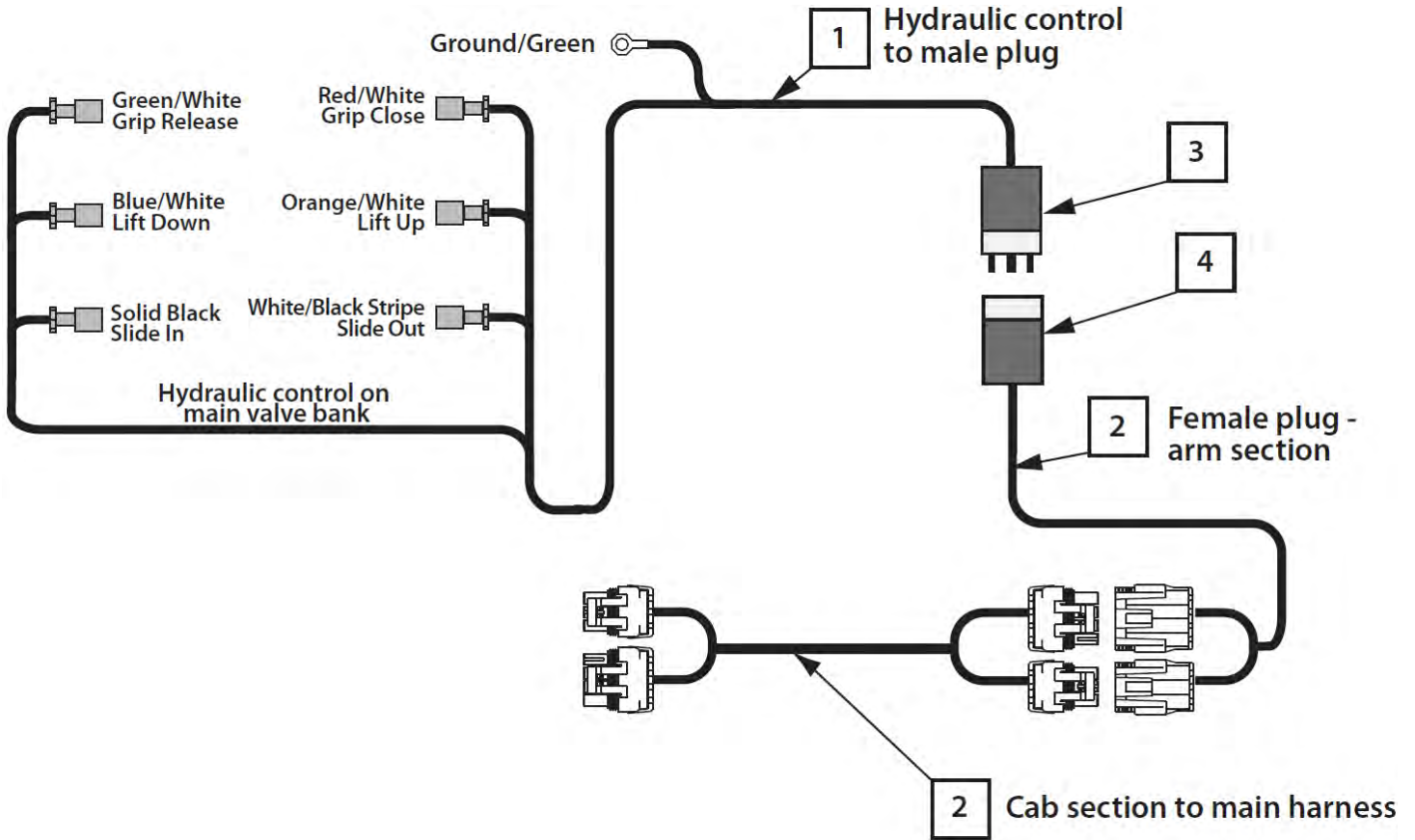
ELECTRICAL

Curotto-Can ELECTRICAL STANDARD HARNESSSES



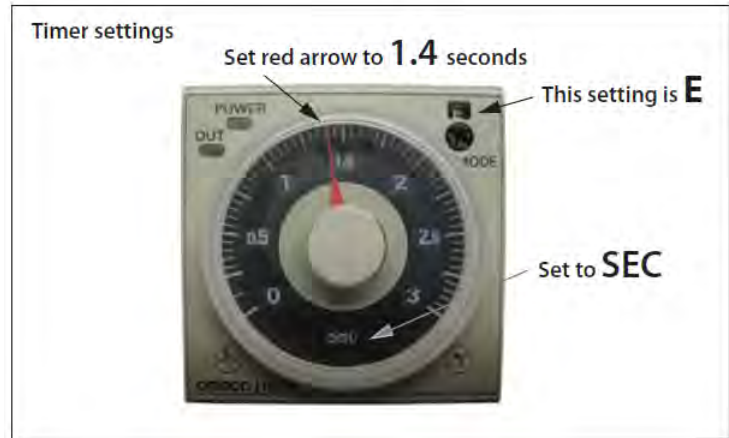
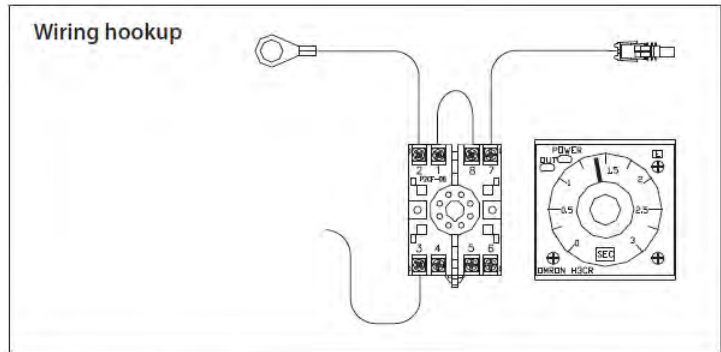
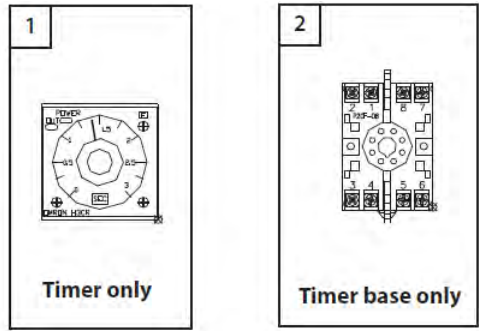
ITEM	PART NO.	DESCRIPTION	QTY	NOTES
1	263-1815-034	Harness, main valve to Can base	1	.. Replaces AC8-NS02-WP
2	AC8-0001-WP-ARM	Weather Pack harness arm section only	1	
3	AC8-0001-WP-CAB	Weather Pack harness cab section only	1	
4	AC8-A311	Main diode harness	1	.. Comes with timer base
5	AC8-0004	Main power input harness	1	.. Comes with pressure switches
6	AC8-0008	Joystick harness only	1	.. Does not include joystick
7	AC8-A312	Autoretract harness	1	
8	AC8-0001-TD-WP	Tilt to Dump Harness	1	
9	AC0101-M98-WP	Elec. Kit, Cab-without dual controls, Mack	1	
10	AC0101-M98-DC-WP	Elec. Kit, Cab-with dual controls, Mack	1	
11	AC0101-LHD-WP	Elec. Kit, left hand drive	1	
12	AC0101-LHD-TD-WP	Elec. Kit, LHD, tilt to dump	1	
13	AC8-0007-KT	Joystick and harness kit	1	.. Includes items 6 and 14
14	AC8-0007	Joystick only	1	
15	AC08-0001-K-WP	Arm and cab harness kit	1	.. includes items 2 & 3

Curotto-Can ELECTRICAL TRAILER PLUG HARNESSSES



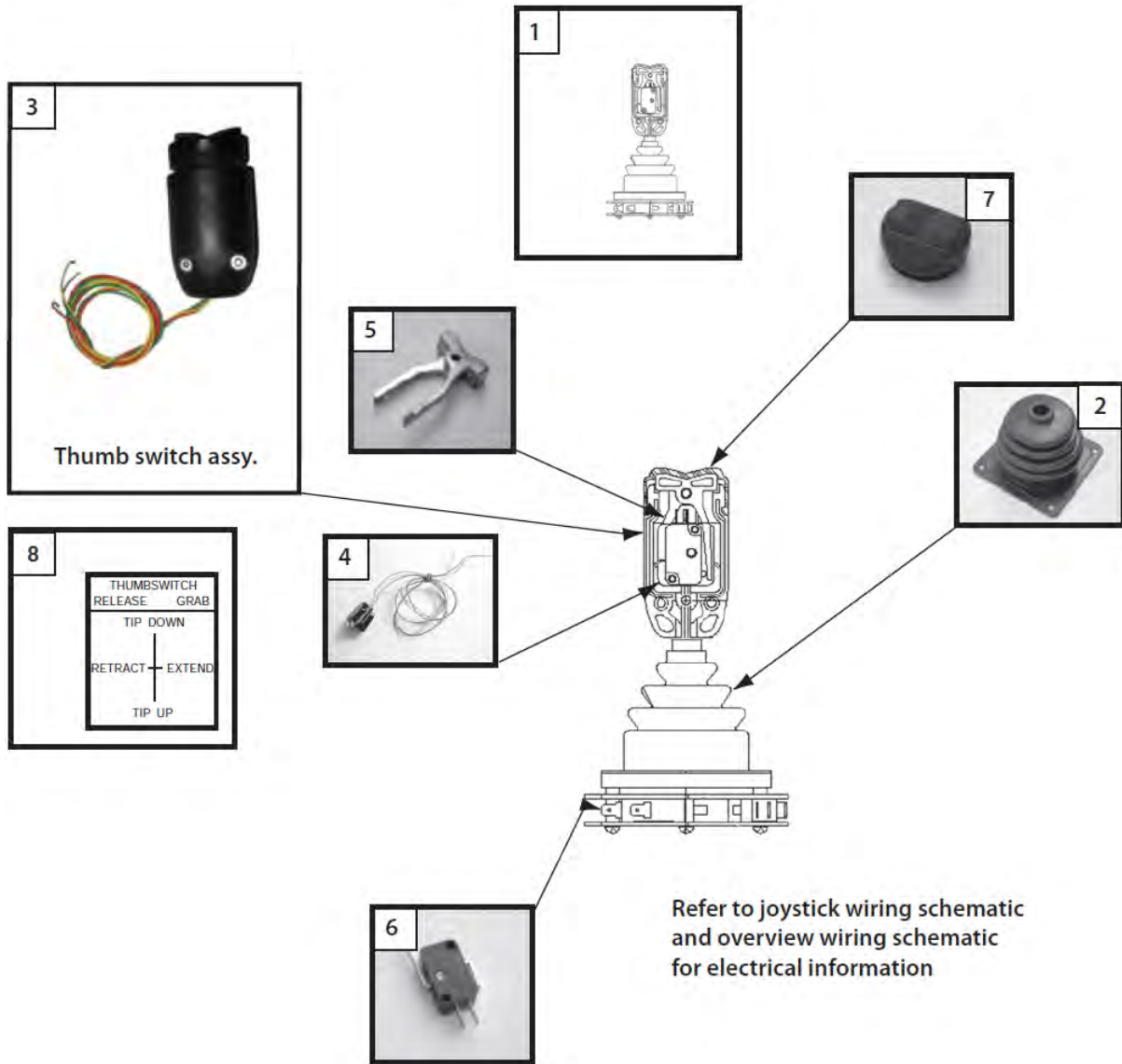
ITEM	PART NO.	DESCRIPTION	QTY	NOTES
1	AC8-NS02	Harness, control switches to trailer plug	1	
2	AC8-0001-K	Harness, female plug on arm to main	1	
3	E09-0049	Trailer plug, male	1	.. Plug only
4	E09-0050	Trailer plug, female	1	.. Plug only

Curotto-Can ELECTRICAL TIMER



ITEM	PART NO.	DESCRIPTION	QTY	NOTES
1	CC01-ET-0001	Timer	1	
2	CC01-ET-0002	Timer base	1	

Curotto-Can ELECTRICAL JOYSTICK



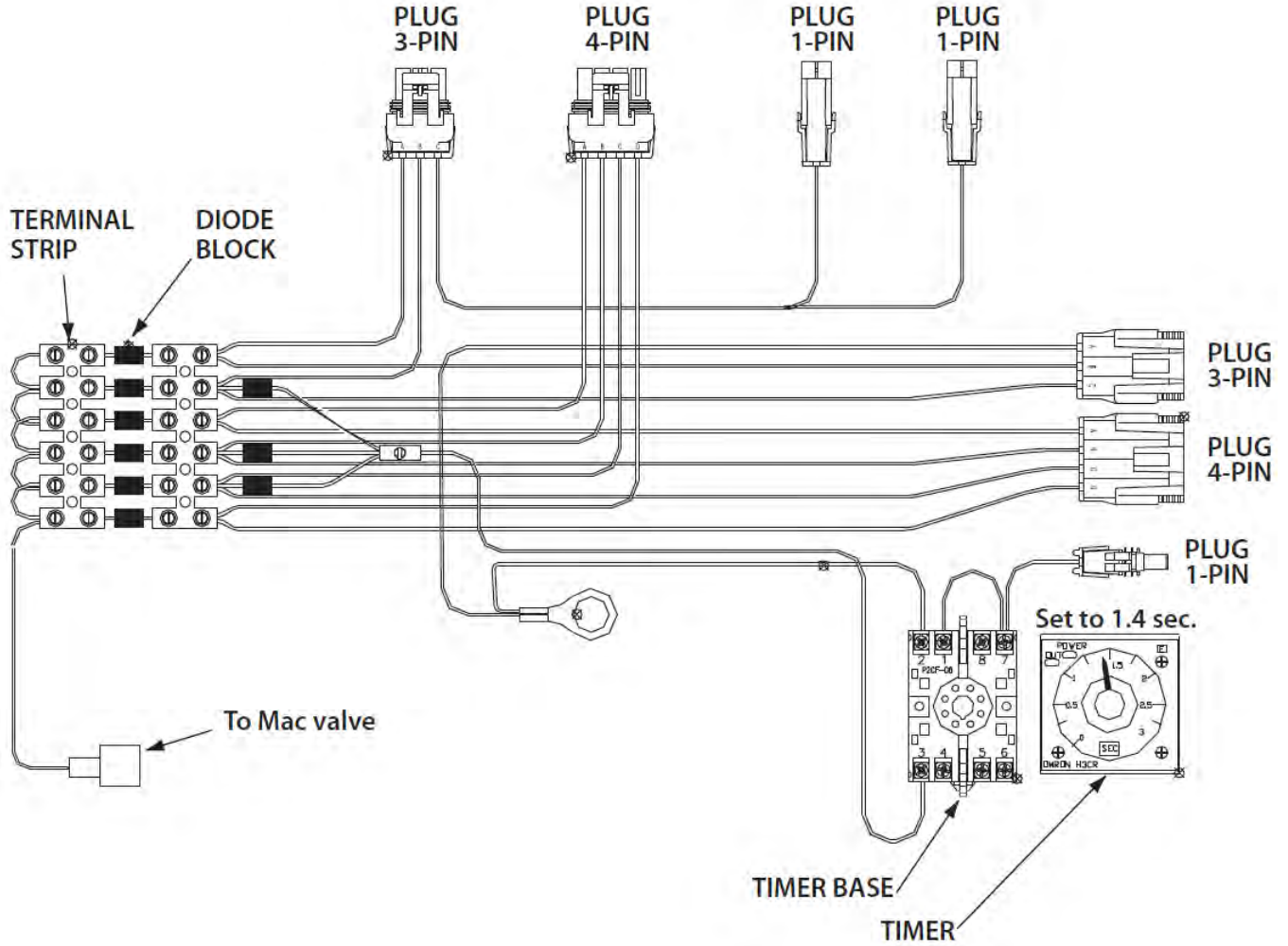
ITEM	PART NO.	DESCRIPTION	QTY	NOTES
1	AC8-0007	Joystick, only	1	
2	S16-0599	Boot only	1	
3	S16-0597	Thumb switch assembly	1	.. Complete upper control unit
4	S16-0594	Switch only	1	.. (2) required per assembly
5	S16-0417	Fork only	1	
6	S16-0590	Switch V3, only	1	.. (4) required for entire joystick
7	S16-0406	Boot only, rocker switch grip	1	
8	PANEL 164	Joystick instruction panel	1	

INTENTIONALLY LEFT BLANK

SCHEMATIC

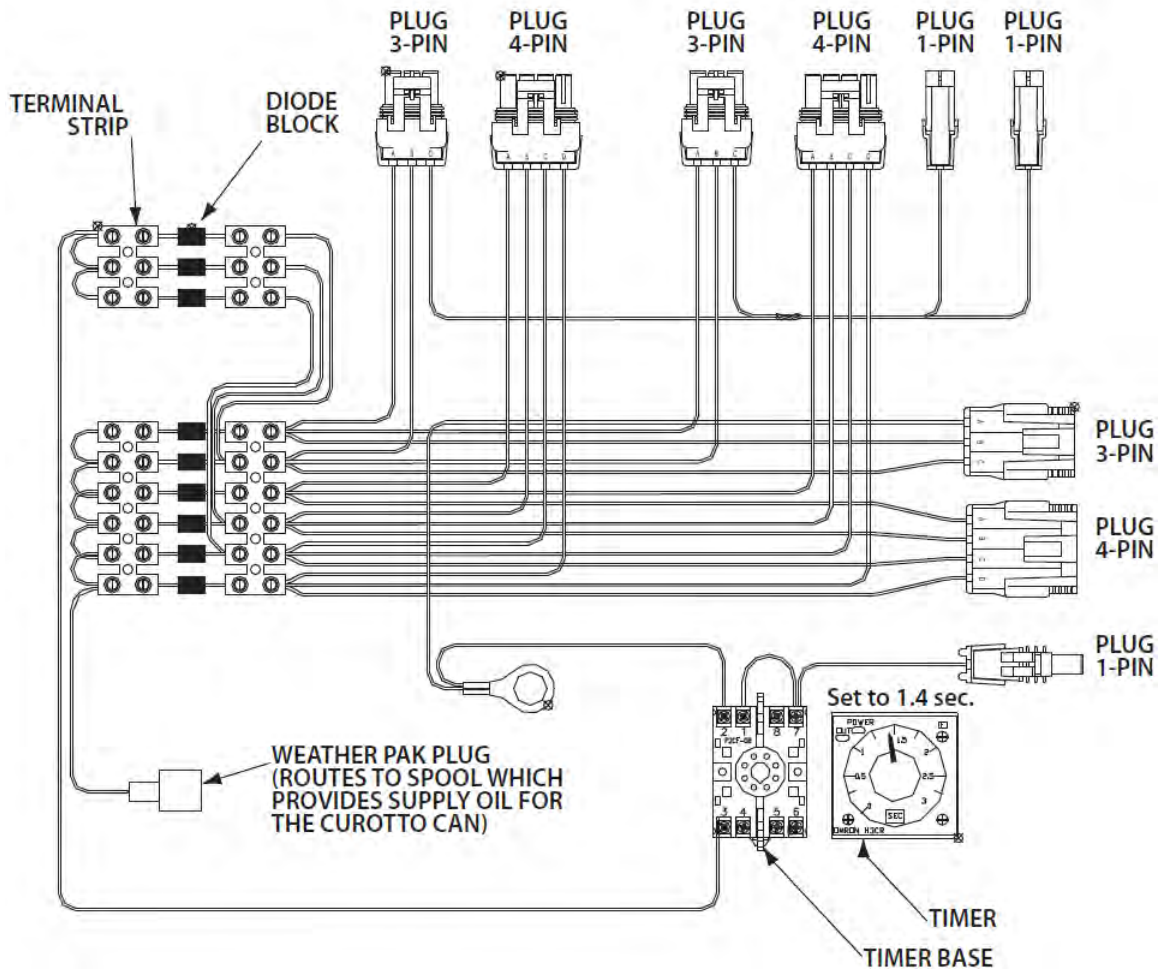
Curotto-Can SCHEMATIC MAIN WITHOUT DUAL CONTROLS

SCHEMATIC: Main harness WITHOUT dual controls - part # AC8-A311-B

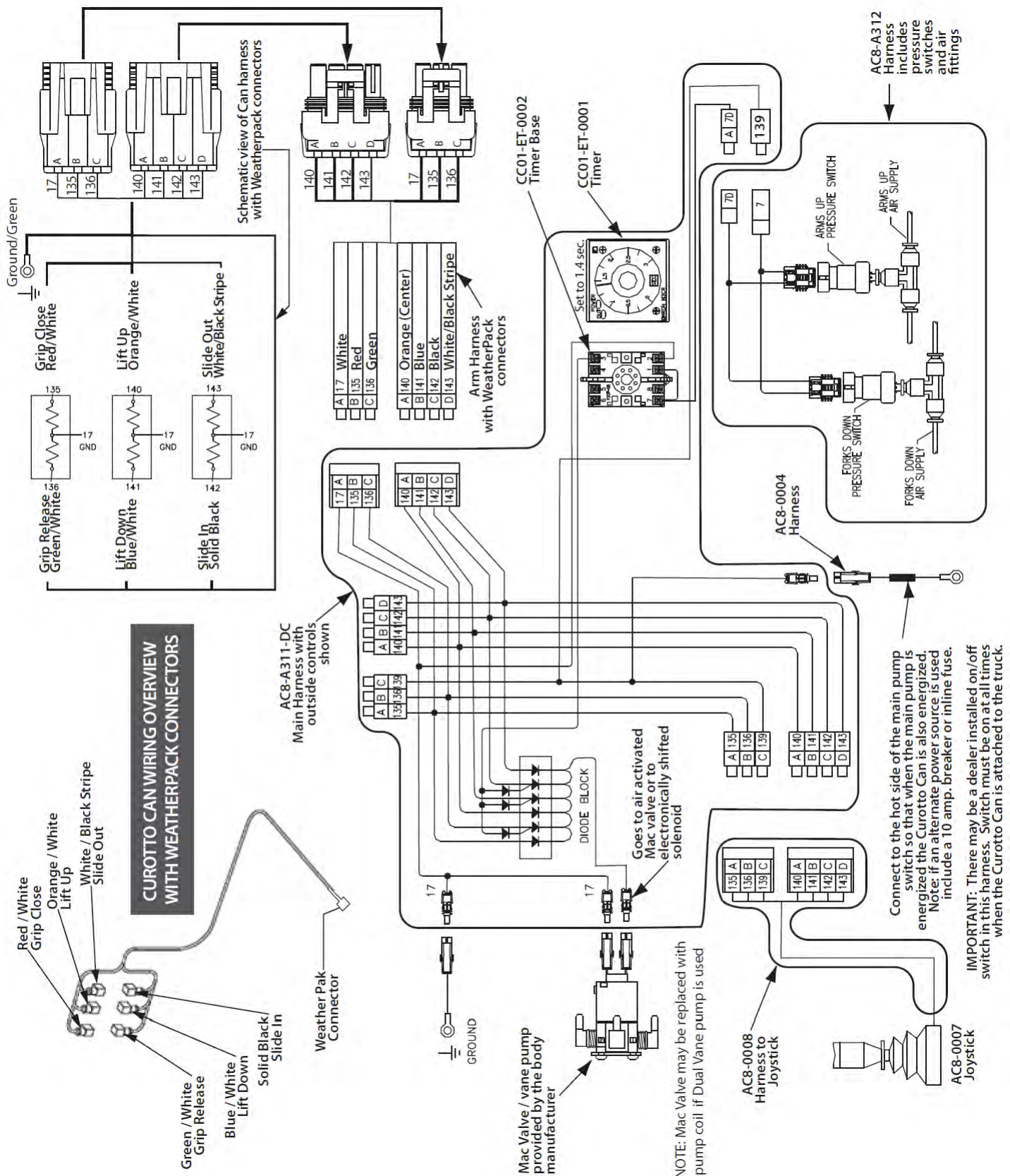


Curotto-Can SCHEMATIC MAIN WITH DUAL CONTROLS

SCHEMATIC: Main harness WITH outside controls - part # AC8-A311-DC

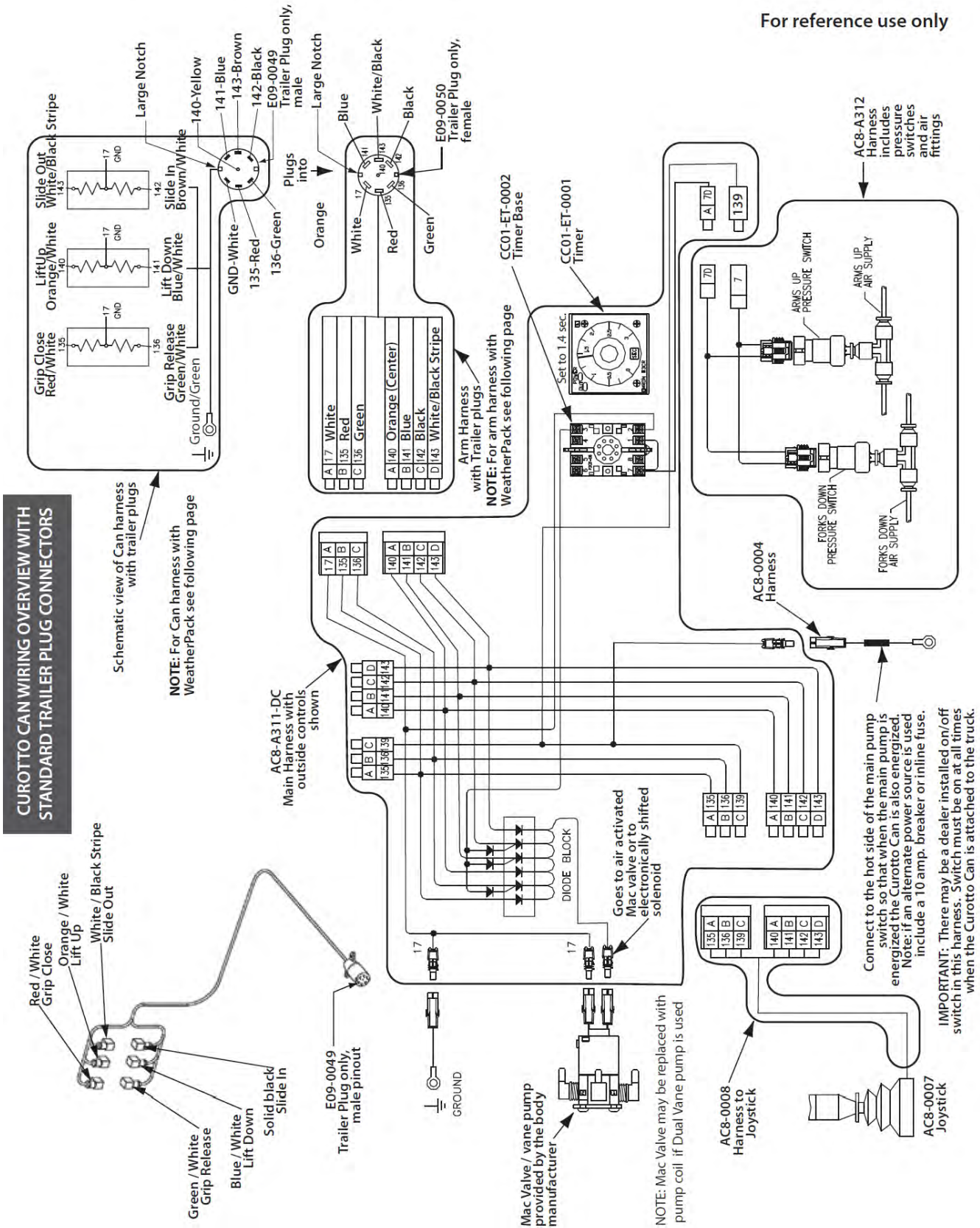


Curotto-Can SCHEMATIC WEATHERPACK: OVERVIEW



Curotto-Can SCHEMATIC TRAILER PLUGS: OVERVIEW

For reference use only

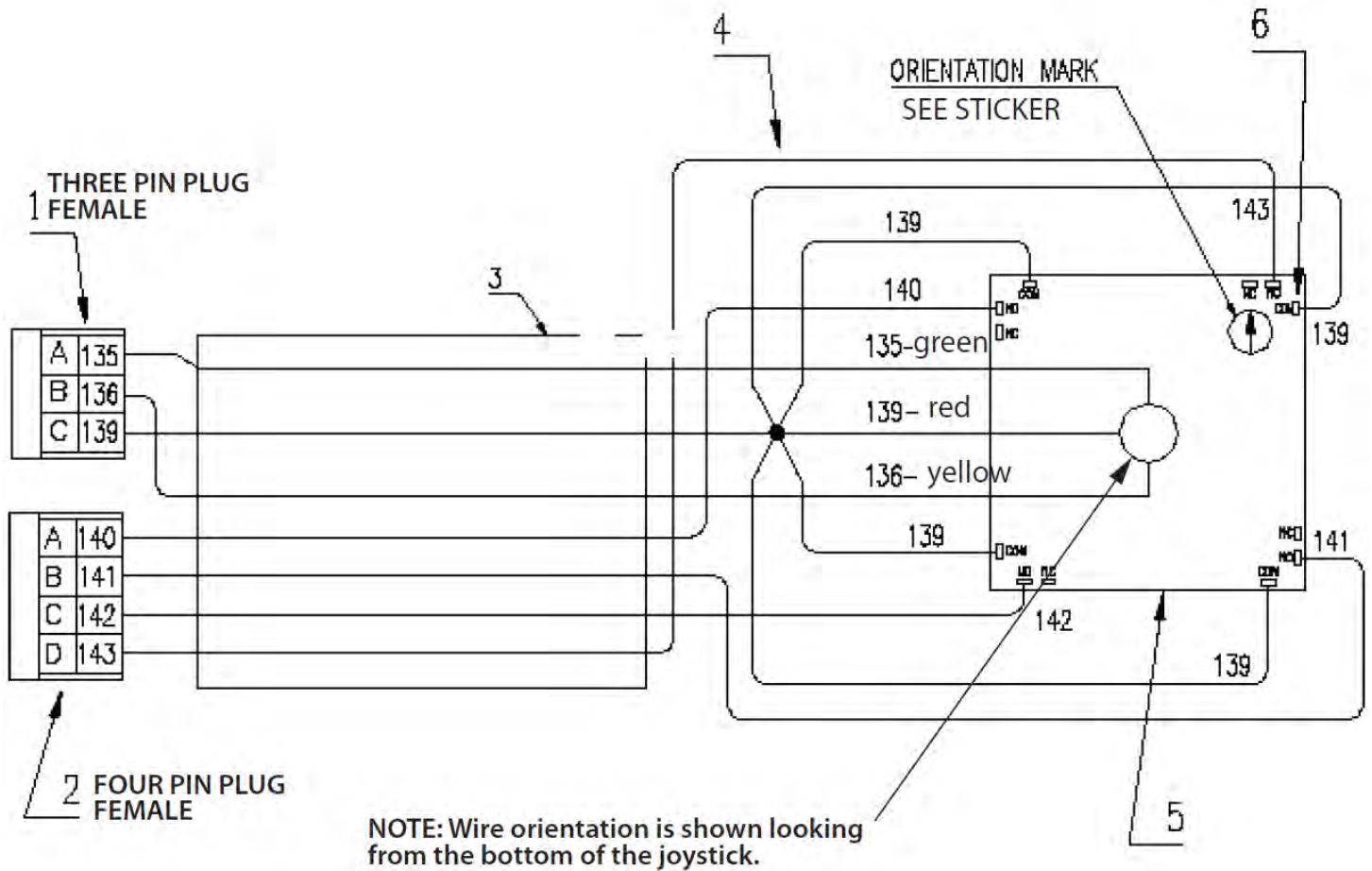


CUROTTO CAN WIRING OVERVIEW WITH STANDARD TRAILER PLUG CONNECTORS

Schematic view of Can harness with trailer plugs
NOTE: For Can harness with WeatherPack see following page

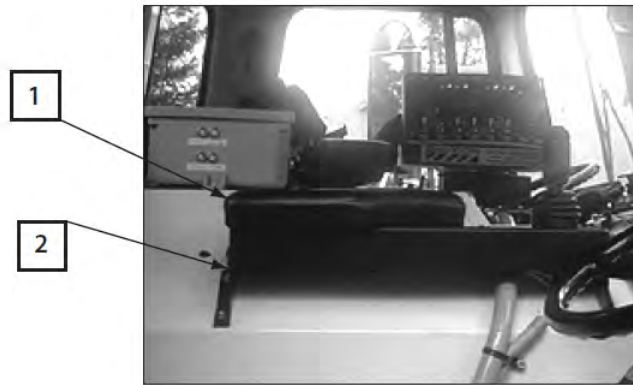
Curotto-Can SCHEMATIC JOYSTICK HARNESS

Schematic: Joystick harness - part # AC8-0008



TRUCK

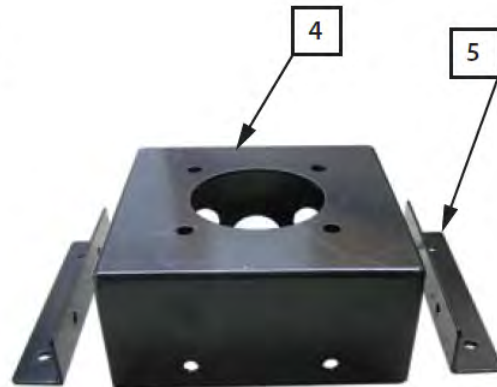
Curotto-Can TRUCK ARMRESTS AND SUPPORTS



Volvo



Mack



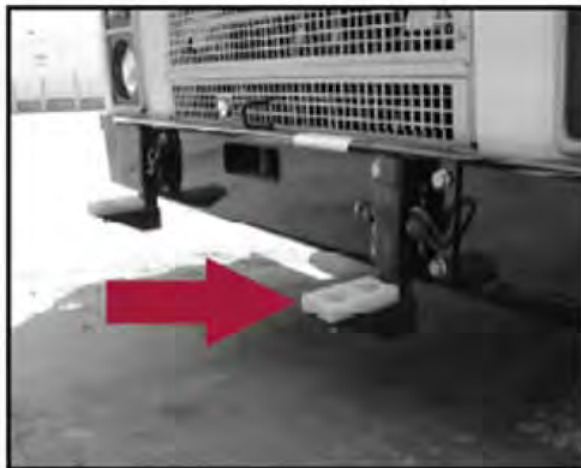
ITEM	PART NO.	DESCRIPTION	QTY	NOTES
1	FL21-044	Pad, armrest	1	
2	FL7-0002	Armrest, support structure, WXLL64	1	.. Autocar and Volvo
3	FL7-A001	Armrest, support structure, Mack	1	
4	FL-UJB	Bracket, joystick universal	1	.. Steel box only
5	FL-UJBM	Bracket, mounting, joystick universal	2	.. Right angle bracket only

Curotto-Can TRUCK CRADLES

For Reference Use Only

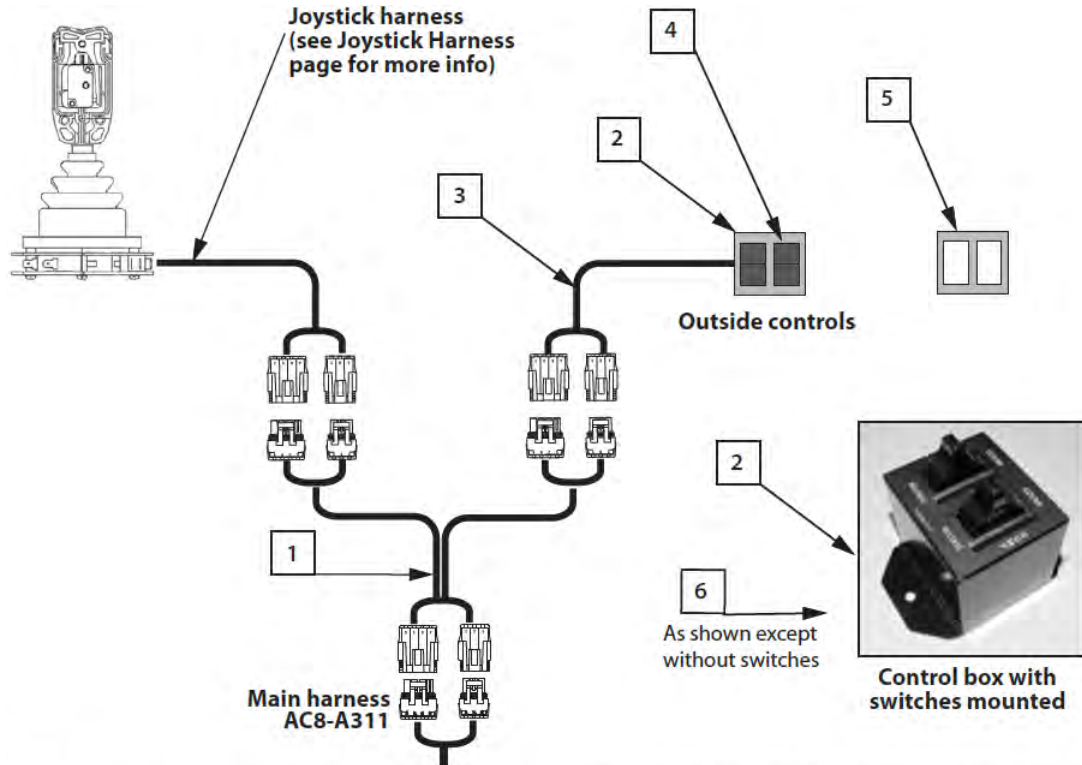
Fork tube rests on the cradles taking weight off the arms.

Recommended on all units using the Curotto-Can.

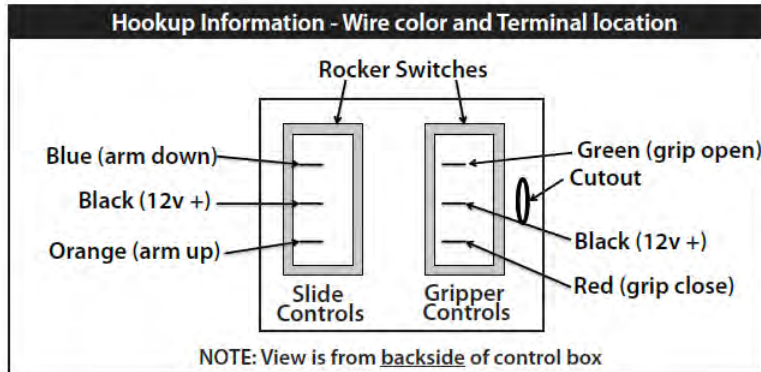


Contact truck manufacturer to order

Curotto-Can TRUCK OUTSIDE CONTROLS



NOTE: Recommended mounting location for Outside Controls is inside the cab as shown above



ITEM	PART NO.	DESCRIPTION	QTY	NOTES
1	AC8-A311-DC-PT	Harness, splitter for outside controls	1	
2	AC8-0010	Control box, complete with switches	1	
3	AC8-OCH	Harness, splitter to outside controls	1	
4	SE-RS	Rocker switch only, marine grade	2	
5	AC8-0010-C	Switch cover only	1	
6	AC8-0010-B	Switch box only	1	.. no switches included

Curotto-Can TRUCK

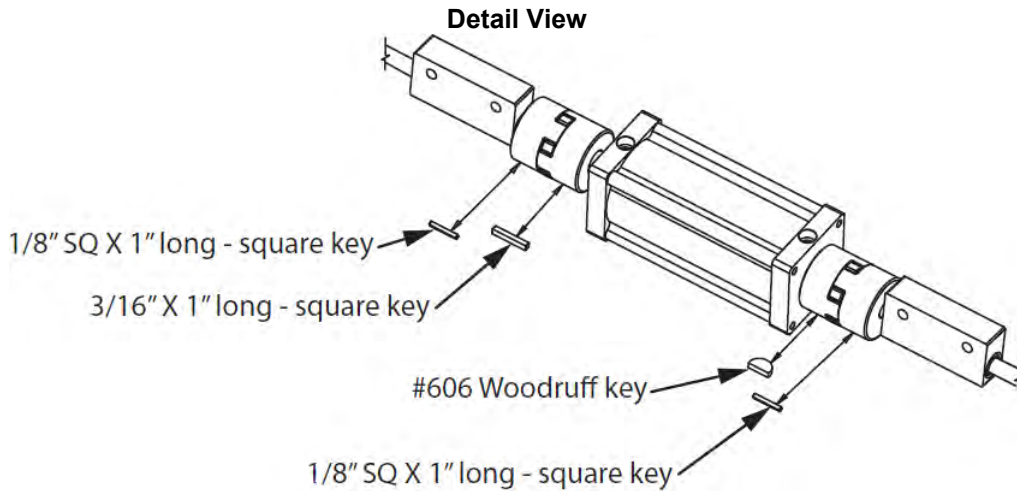
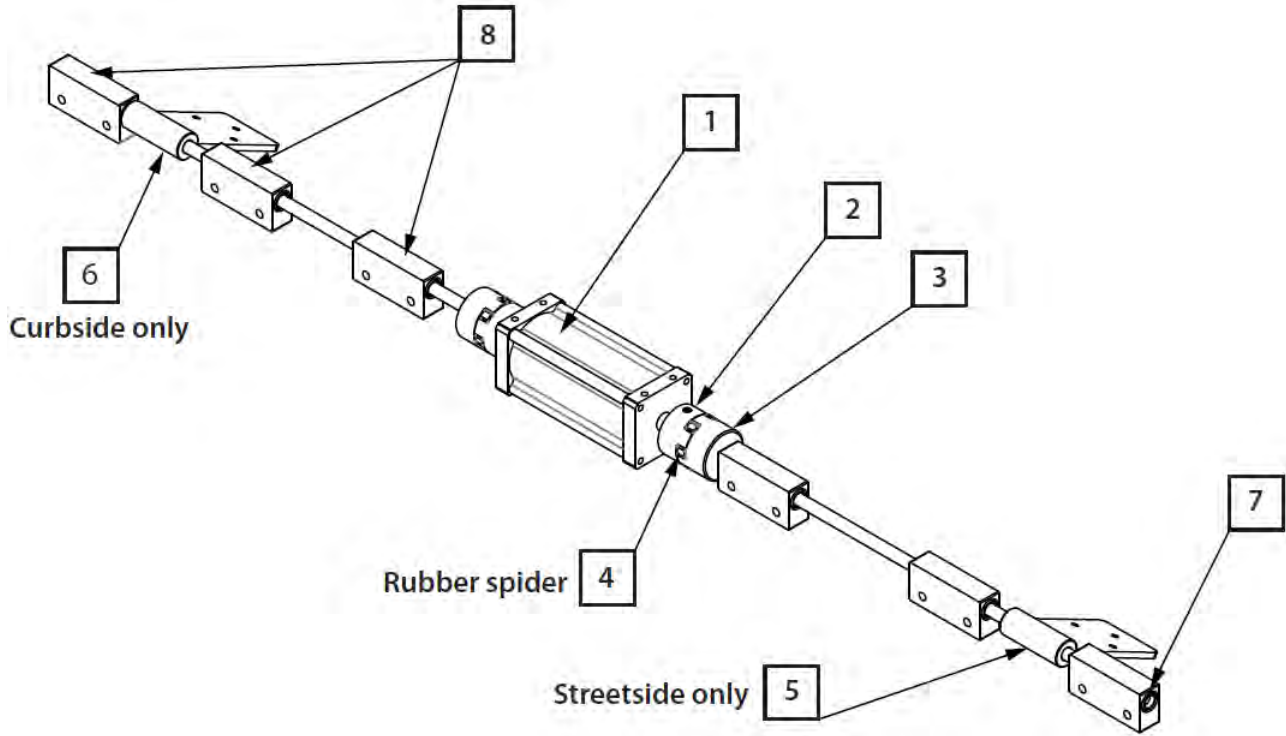
RFID / SONRAI ADD-ON ITEMS NEEDED FOR SYSTEM INSTALL

ITEM	PART NO.	DESCRIPTION	QTY	NOTES
-1	857-0957	3/4" steel tube set for Heil	1	. For RFID Antenna install / replaces Standard Side Windscreen
-2	CNT-KT	3/4" steel tube set for McNeilus ..	1	. Kit includes Bolt-on Bracket, Prox Switch and Prox Harness
-3	858-0960	Shield, RFID antenna	1	
-4	858-0958	Shield, RFID antenna	1	
-5	SE-RFID-HW	RFID hardware kit	1	

INTENTIONALLY LEFT BLANK

OPTIONS

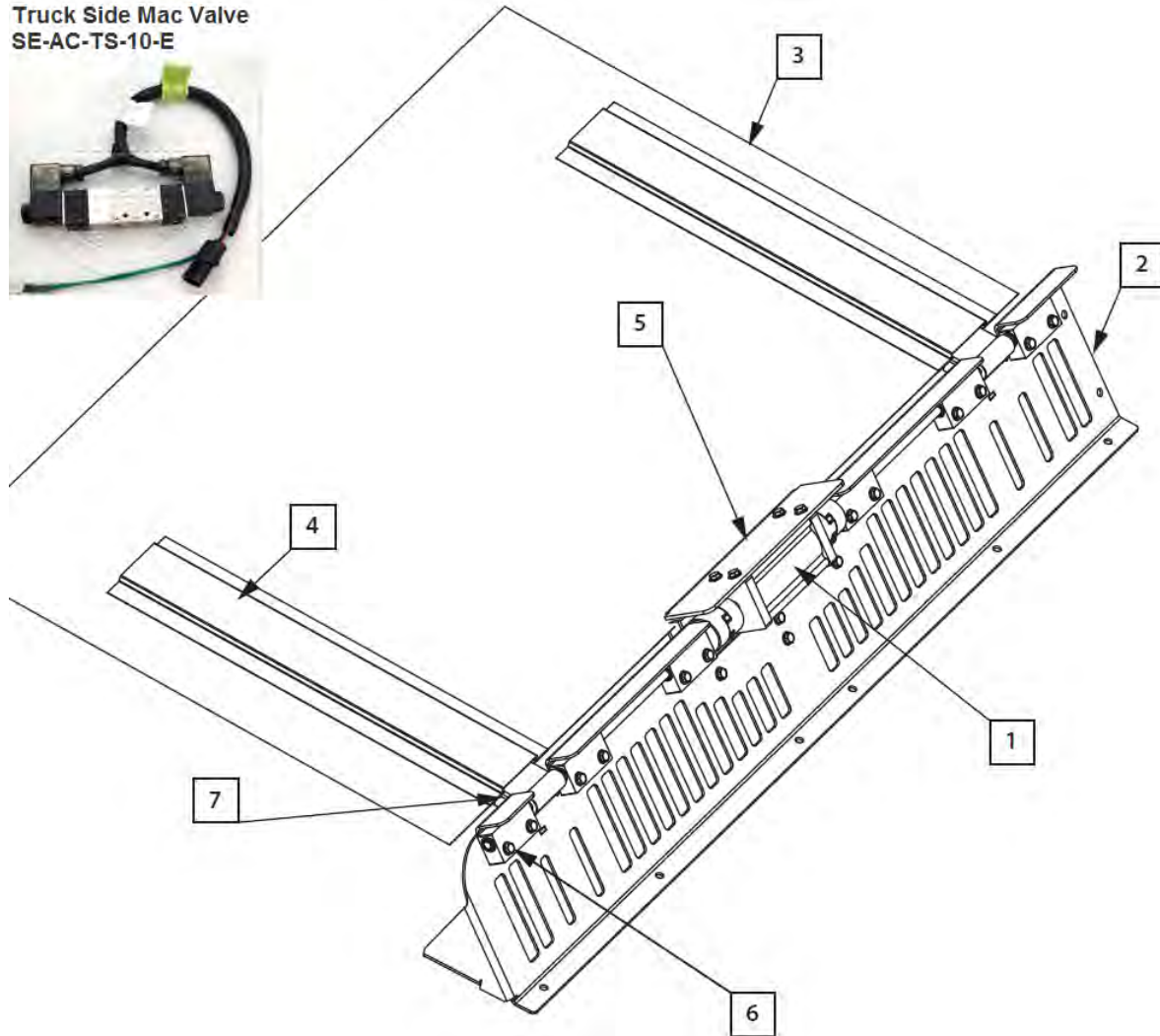
Curotto-Can OPTIONS RAC, CYLINDER & SHAFT ASSEMBLY



ITEM	PART NO.	DESCRIPTION	QTY	NOTES
1	SE-RAC-CS-1	Air cylinder, rotary actuating	1	
2	SE-RAC-CS-2	Coupler, LO95, 3/4"	2	
3	SE-RAC-CS-3	Coupler, LO95, 1/2"	2	
4	SE-RAC-CS-4	Rubber spider	2	
5	SE-RAC-CS-5	Flapper, streetside	1	.. Welded shaft and tab assy.
6	SE-RAC-CS-6	Flapper, curbside	1	.. Welded shaft and tab assy.
7	SE-AC-CS-1	Bushing, hinge	12	
8	SE-RAC-CS-10	Pillow block	6	

Curotto-Can OPTIONS AUTOCOVER, WINDSCREEN

Truck Side Mac Valve
SE-AC-TS-10-E

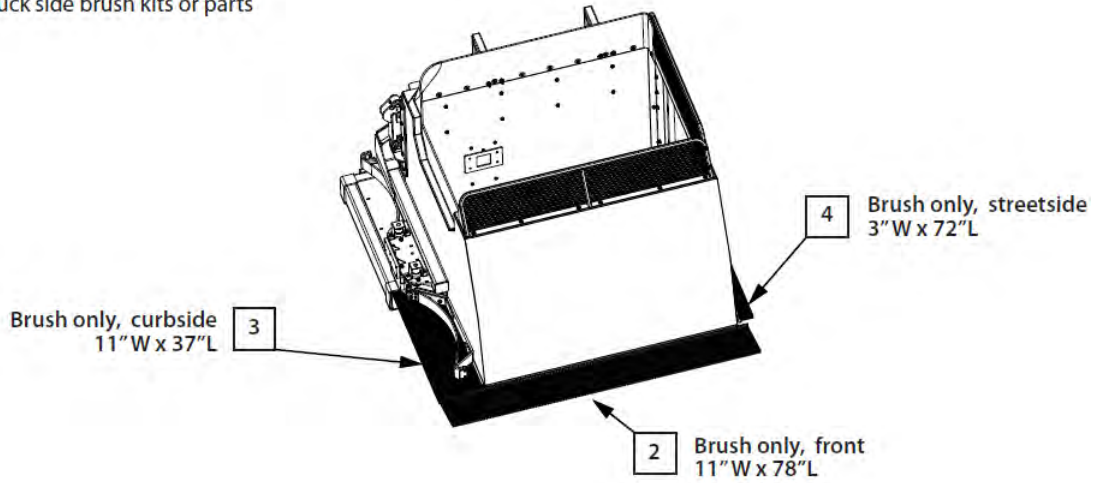


ITEM	PART NO.	DESCRIPTION	QTY	NOTES
2	857-0651	Windscreen, front	1	Replaces AC02-A09-F
3	SE-RAC-CS-13	Fabric cover	1	
4	SE-AC-CS-14	Rubber strip, three holes	2	.. Cut to length
5	SE-RAC-CS-9	Mount, cylinder	1	
6	SE-RAC-CS-HW	Hardware kit	1	.. Contains all nuts, capscrews, washers & keyway
7	SE-RAC-CS-14	Stop pad, rubber	2	
8	SE-RAC-CS-KT-INSTL	Rotary Autocover kit, add-on option ..	1	.. Option for only new containers
-10	SE-AC-TS-KT	Rotary Autocover kit, retrofit	1	.. Includes everything needed for the truck side to operate the Auto Cover
11	SE-AC-TS-10-E	Truck Side Mac Valve	1	.. Required for Autocover installation

Curotto-Can OPTIONS HOPPER SEAL BRUSH KIT, CAN ONLY

The brush kit prevents light weight material (paper and plastics) being suctioned out of the hopper when the truck with the Curotto Can stowed is in transit. The brush kit can be retrofitted to any Curotto Can. Contact the Parts Department for installation details.

NOTE: Please provide the FL body make and model to the parts department when ordering truck side brush kits or parts



- 1** Brush kit SE-BK for the Can includes:
- 1- Channel, front
 - 1- Channel, streetside
 - 1- Channel, curbside
 - 1- Brush, front
 - 1- Brush, curbside
 - 1- Brush, streetside
 - 12 - Capscrews
 - 24 - Washers
 - 12 - Nuts

- 5** not shown
- 6** not shown

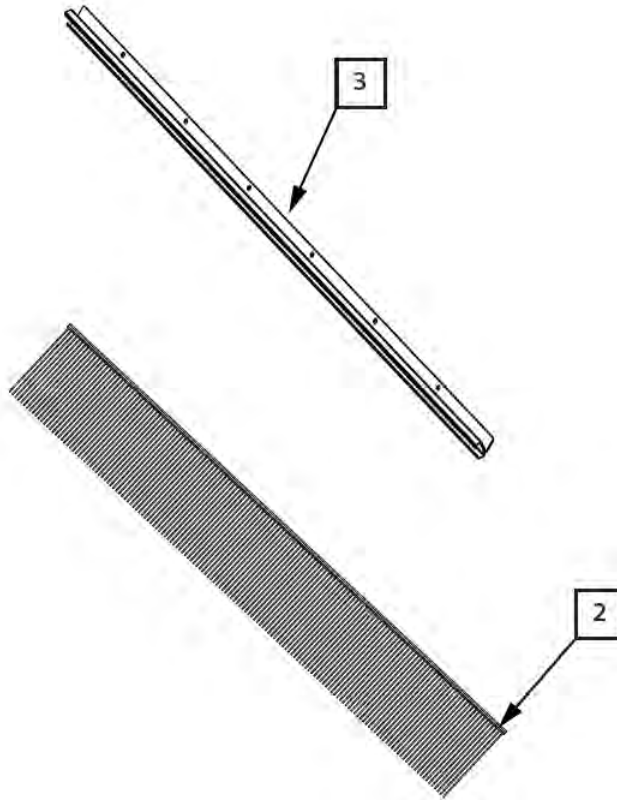
ITEM	PART NO.	DESCRIPTION	QTY	NOTES
1	SE-BK-CS	Brush kit, install on Can	1	.. -H, -M, -W, -EZ
2	SE-BK-B8	Brush only, front, 11" W x 78" L	1	.. Front brush, Heil
3	SE-BK-B2	Brush only, curbside, 11" W x 39" L	1	
4	SE-BK-B3	Brush only, streetside, 3" W x 72" L	1	
-5	SE-BK-C1	Channel only, streetside & front	2	
-6	SE-BK-C2	Channel only, curbside	1	

Curotto-Can OPTIONS

HOPPER SEAL/BRUSH KIT: MCNEILUS PACIFIC/ATLANTIC SERIES

McNeilus Pacific/Atlantic Series only

The parts shown on this page
attach to the front of the hopper



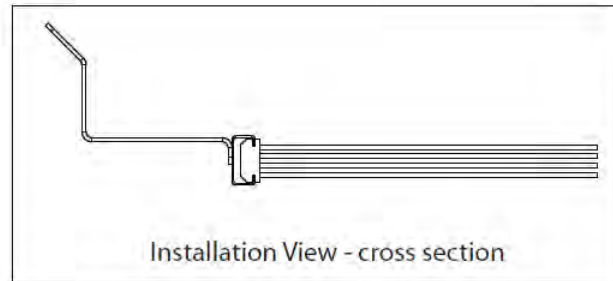
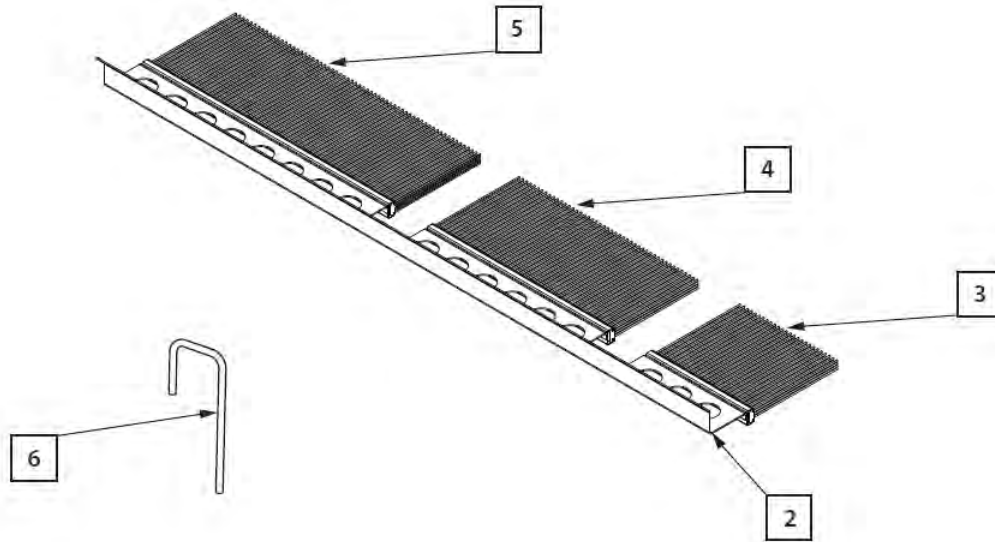
ITEM	PART NO.	DESCRIPTION	QTY	NOTES
1	SE-BK-TS-M	Hopper Seal/Brush kit, Atlantic/Pacific only ...	1	Includes items 2, 3, & 4
2	SE-BK-B1	Brush only	1	
3	SE-BK-C4	Channel only	1	
4	SE-BK-TS-HW-M	Hardware kit	1	Includes all capscrews, washers and nuts

Curotto-Can OPTIONS

HOPPER SEAL/BRUSH KIT: MCNEILUS LO-PRO

For McNeilus Lo-Pro only

The parts shown on this page attach to the front of the hopper

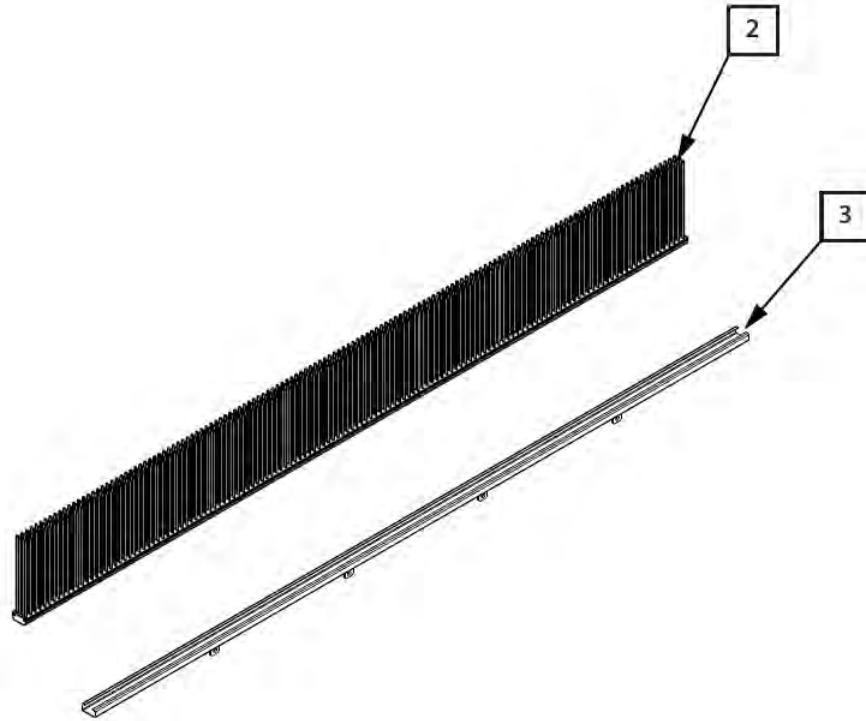


ITEM	PART NO.	DESCRIPTION	QTY	NOTES
1	SE-BK-TS-M-LP	Hopper Seal/Brush Kit, truck side	1 ..	Includes items 2, 3, 4, 5, 6 & 7
2	SE-BK-C6	Channel, brush, truck hopper	1 ..	McNeilus Lo-Pro
3	SE-BK-B5	Brush only, 13" wide	1 ..	McNeilus Lo-Pro
4	SE-BK-B6	Brush only, 23" wide	1 ..	McNeilus Lo-Pro
5	SE-BK-B7	Brush only, 32" wide	1 ..	McNeilus Lo-Pro
6	SE-BK-LK	Clip lock	3	
7	SE-BK-TS-HW-M-LP	Hardware Kit	1 ..	Not shown

Curotto-Can OPTIONS

HOPPER SEAL/BRUSH KIT: HEIL ONLY

The parts shown on this page
attach to the front of the hopper



ITEM	PART NO.	DESCRIPTION	QTY	NOTES
1	SE-BK-TS-H	Hopper Seal/Brush kit	1	.. Heil only, includes items 2,3 & 4
2	SE-BK-B8	Brush only	1	
3	SE-BK-C5	Channel only	1	
4	SE-BK-TS-HW-H	Hardware kit	1	.. Includes all capscrews, washers and nuts

INTENTIONALLY LEFT BLANK

RETROFIT

Curotto-Can RETROFIT

RETROFIT / ADD TRUCK SIDE CONTROLS TO OPERATE CUROTTO-CAN

Retro Fit Kit Electrical	EACH
AC0101-M98-DC-WP Electrical Kit Curotto-Can, Ma	1
AC0101-M98-WP Electrical Kit Curotto-Can, Ma	1
AC0101-LHD-WP Electrical Kit Curotto-Can, Left Hand Drive Only / Universal Fit	1
Hydraulic Options	1
PDM-12GPM Used if valve section is there already and no diverter valve	
IL-4401-R3-KT Used if they have no valve section	1
Outside Control Kit	1
AC8-OC Outside Control Kit - Switch Box Located On Arm	
AC8-OC-S Outside Control Kit - 10ft Shorter harness for behind cab mount	1
Extension / Spacer Kits	1
EXT 6 " SET	
EXT 8 " SET	1
Hardlines	1
HFLTK-01-H HEIL Arm Tubes for Curotto Can	
HFLTK-01-M MCNEILUS Arm Tubes for Curotto Can	1
Quick Coupler Kit	1
QC-KT	
Add a Joystick Kit	
Items below used ONLY if they have a single Curotto joystick and want to add 2nd joystick " AC8-0007-K	1
AC8-A311-DC-PT	1
FL-UJB	1
FL-UJBM	2
PANEL 164	1
Auto Cover Cab Control	1
SE-AC-TS-KT Auto Cover Truck Side Kit	
Work Lamp Truck Side Kit	
SE-WL-TS-KT Work Lamp Truck Side Kit	1
Truck Side Brush Kit	1
SE-BK-TS-H Heil Truck Side Brush Kit	
SE-BK-TS-M McNeilus Truck Side Brush Kit	1

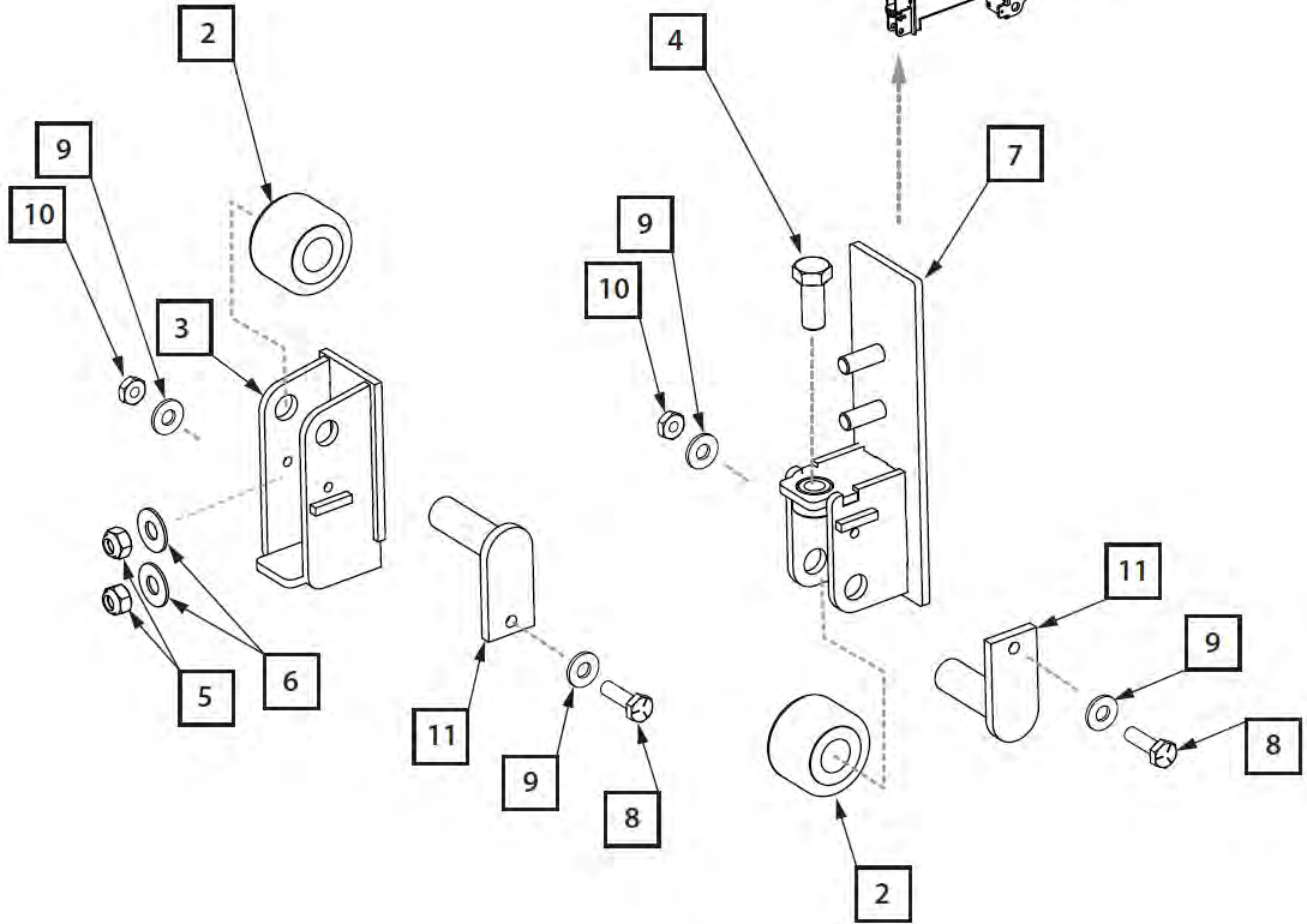
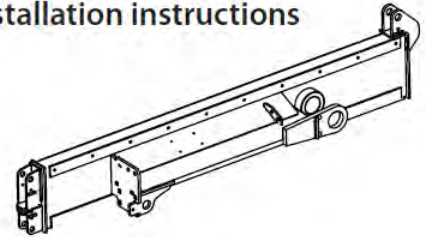
Please note: All Items above are not always needed for a retro install. These are the items to choose from based on the unit and all the unit options. Each retro kit will be different and will need the retro kit questionnaire filled out and return to Curotto Can for any retro fit quote. If you have any questions please contact your local Curotto Can Dealer.

Curotto-Can RETROFIT SLIDE ADJUST

Contact the parts department
for retrofit installation instructions

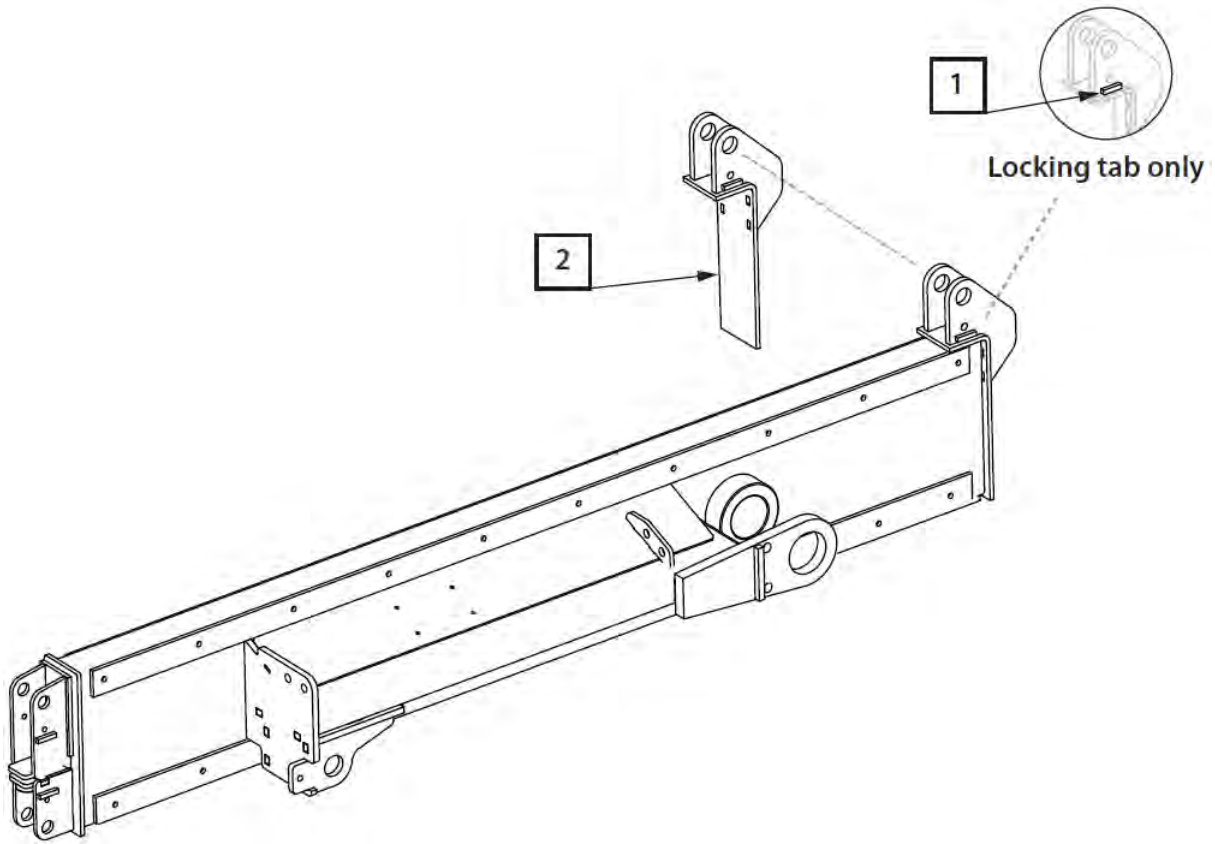


SE-ARB-RKT Complete Adjustable Roller



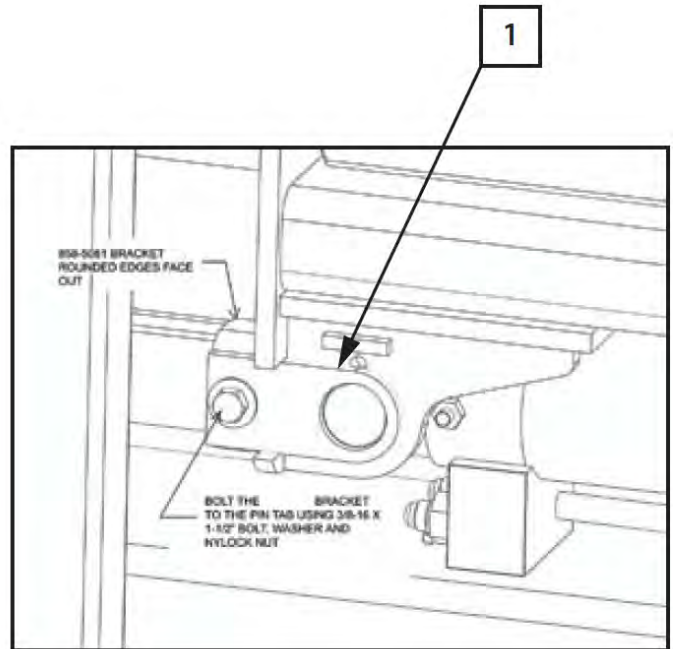
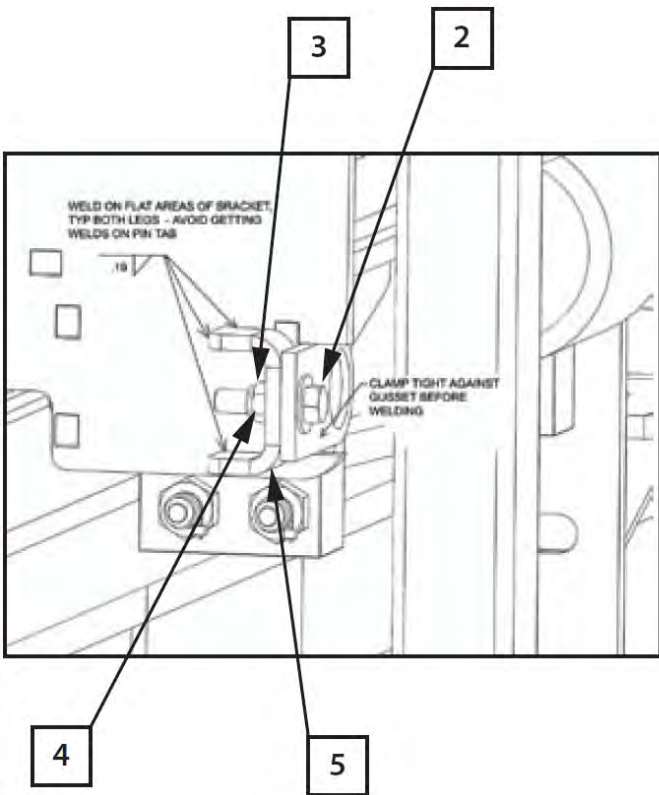
ITEM	PART NO.	DESCRIPTION	QTY	NOTES
1	SE-ARB-RKT	Retrofit kit, adjustable roller on slide	1	Includes items 2 thru 10
2	859-0021	Roller, bearing, sealed, press fit	2	Replaces SE-0005-PF
3	857-5060	Roller assy., adjustable, upper	1	Replaces SE-ARB-UPPER
4	CF-0118958	Capscrew, 5/8"-18 X 1.5" long	1	Grade 8 only
5	047-2673	Nut, 1/2" - 20 - Toplock	2	Grade 8 only
6	CF-113817	Flat washer, 1/2"	2	Grade 8 only
7	SE-ARB	Roller assy., adjustable, lower	1	Weldment
8	CF-115005	Capscrew, 1/4"- 20 x 1.0" long	2	Grade 8 only
9	CF-1133813	Washer, 1/4" -at	4	
10	423-2960	Locknut, 1/4"- 20	2	Replaces CF-38060
11	857-5022	Pin, press fit	2	Replaces SE-S17-PF

Curotto-Can RETROFIT SLIDE BRACKETS



ITEM	PART NO.	DESCRIPTION	QTY	NOTES
1	AC02-151	Locking Tab	2	
2	SE-A-89-T	Bracket, complete	1	

Curotto-Can RETROFIT DUMP PIN



ITEM	PART NO.	DESCRIPTION	QTY	NOTES
1	857-5006	Pin, dump cylinder	1	Replaces SE-S13
2	CF-115107	Capscrew, 3/8" - 16 x 1.25"	1	Grade 8 only
3	055-3113	Washer, 3/8",	2	High strength .. Replaces CF-33815
4	047-2670	Nut, Nylock, 3/8" - 16	1	Replaces CF-37185
5	SE-TAB-WELD	Tab extension, retrofit only for CC II	1	Use with cylinder pin - # SE-S13
6	SE-S13-KT	Kit, retrofit	1	Lift

INTENTIONALLY LEFT BLANK

FLOW METER

Curotto-Can FLOW METER



Description: Curotto Can service and inspection flow meter, comes with pressure gauge, flow meter (GPM and LPM) as well as male and female quick couplers set up for a Curotto hydraulic system.

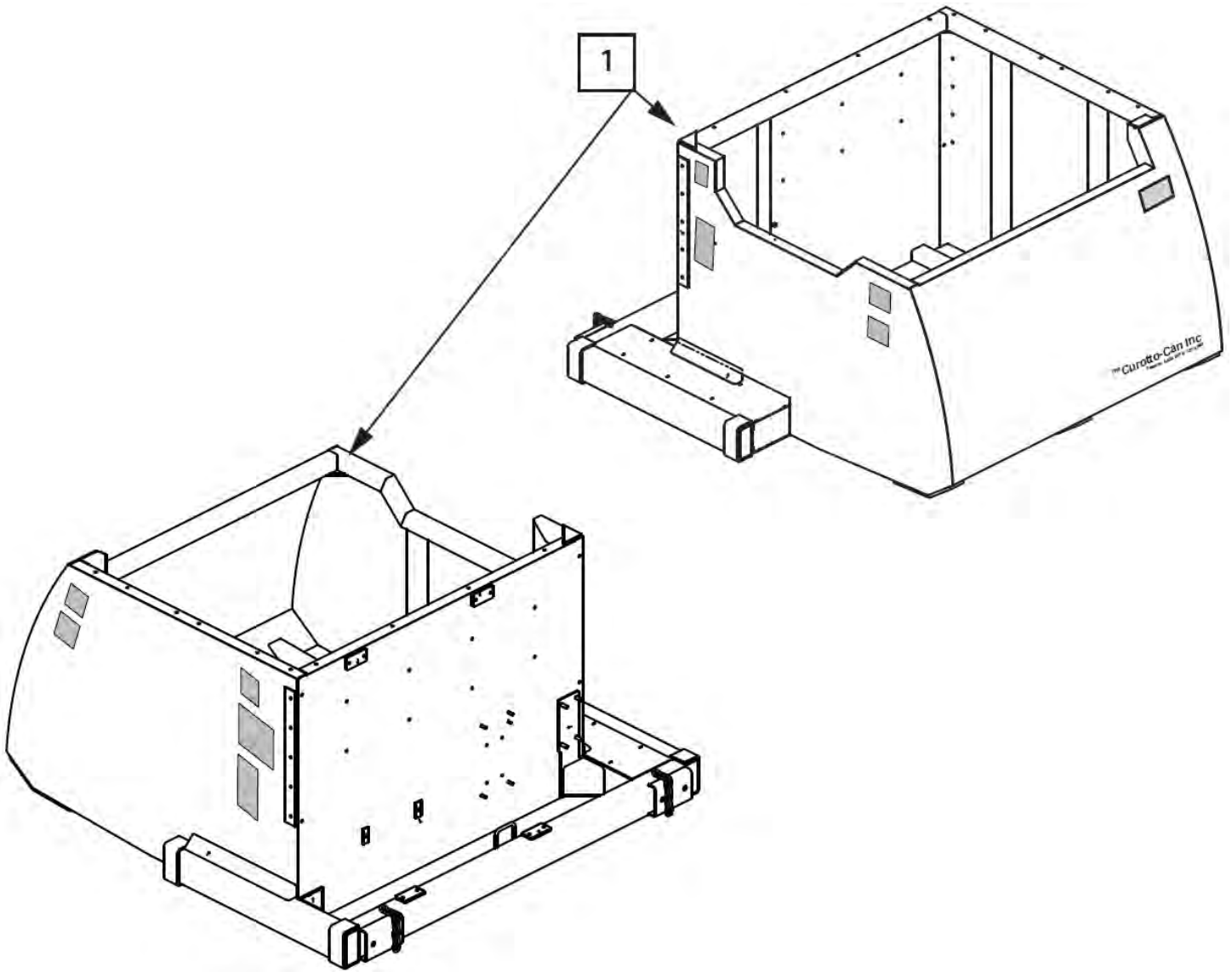
To use meter, disconnect Curotto Can from host truck and install flow meter in Container's place. Activate Curotto joystick to engage Curotto oil flow to obtain reading.

Reading should be 12-14 gpm at idle.

ITEM PART NO.	DESCRIPTION	QTY NOTES
1 SE-FLOW-METER	Flow meter, complete as shown	1

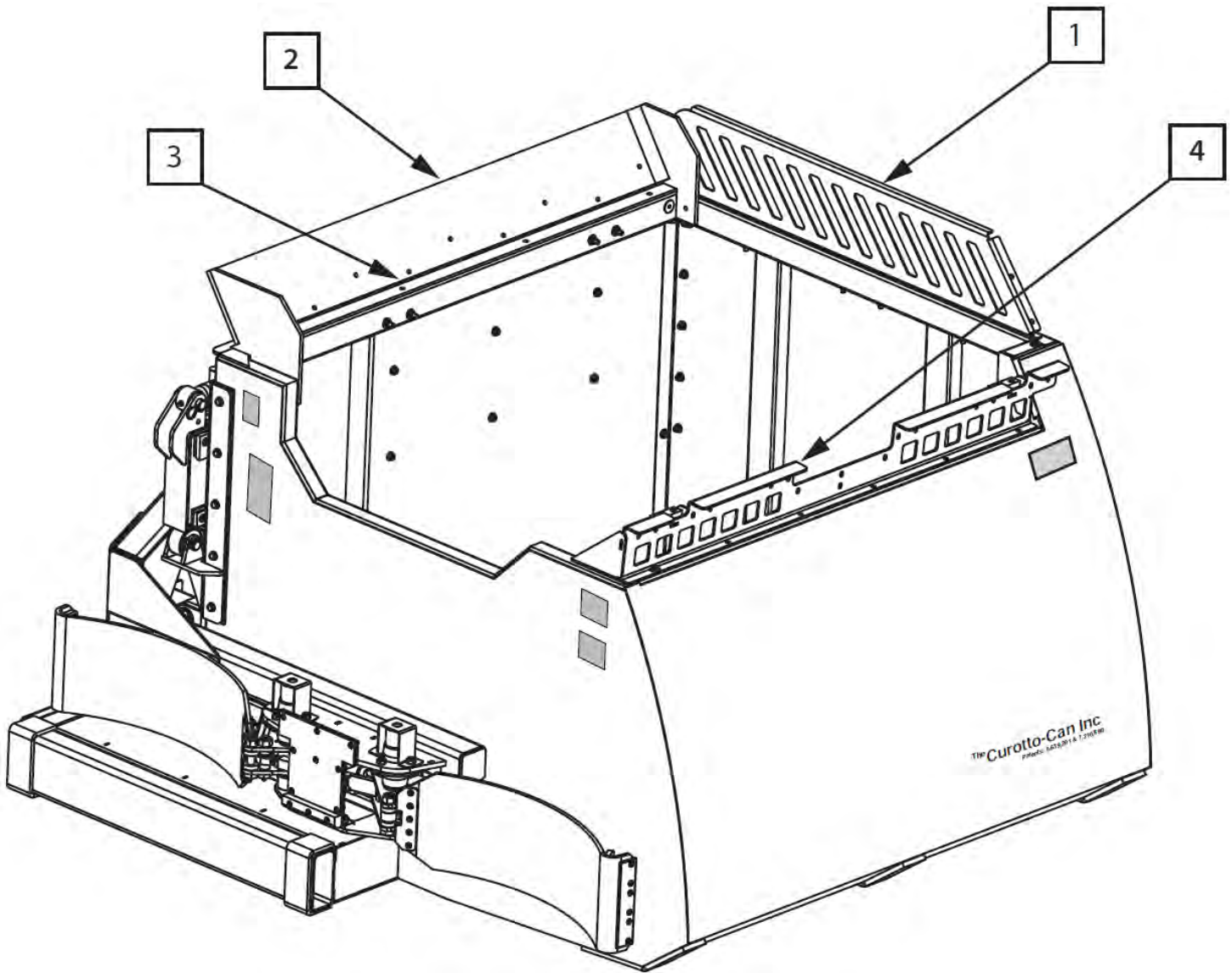
300 GALLON MODEL

Curotto-Can 300 GALLON MODEL CAN BODY- BARE



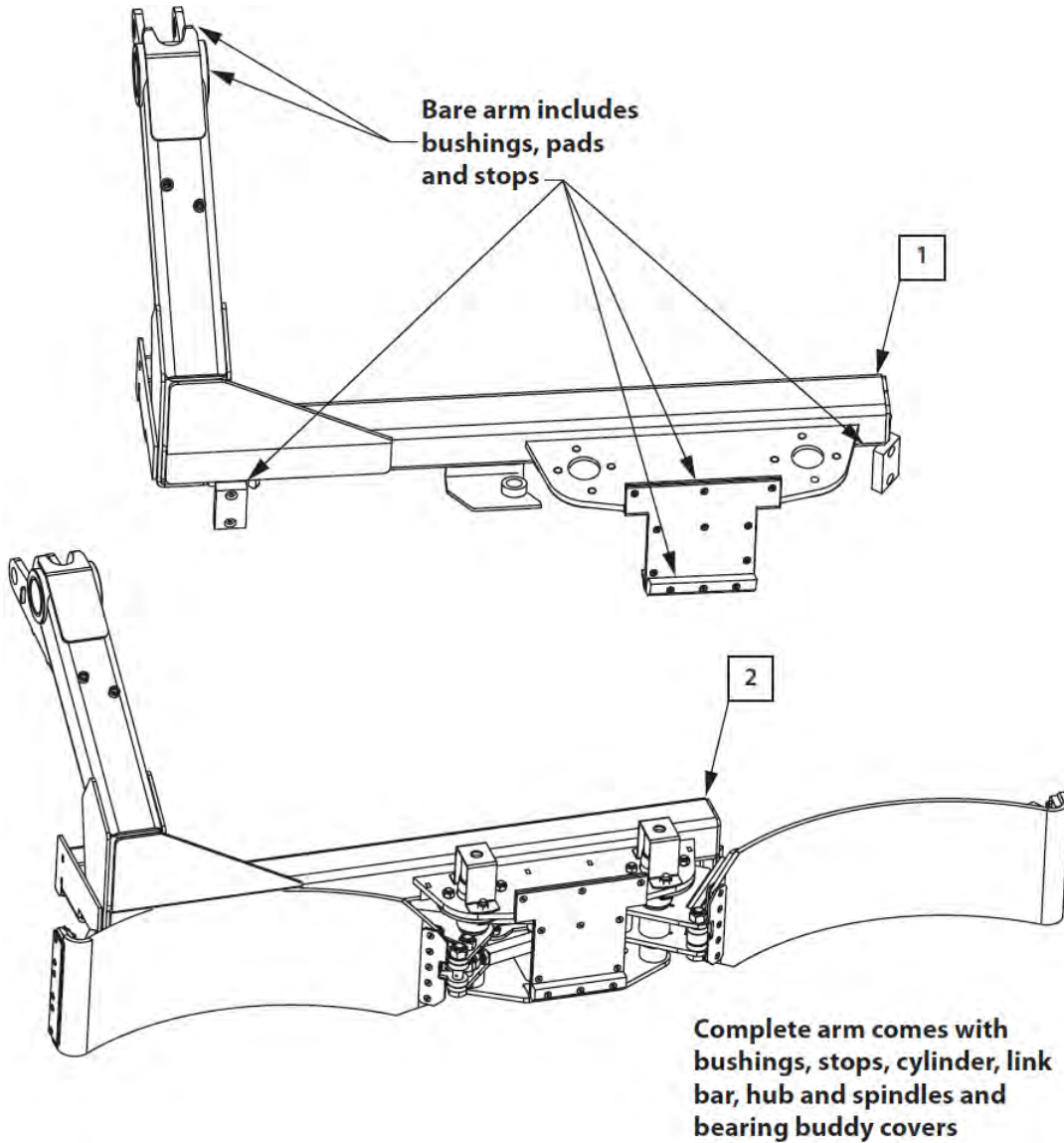
ITEM PART NO.	DESCRIPTION	QTY NOTES
1 AC02-A03-SE-300	Container, bare, 300 gal	1 .. Does not come with windscreens or main valve cover

Curotto-Can 300 GALLON MODEL RUBBER FLAPS



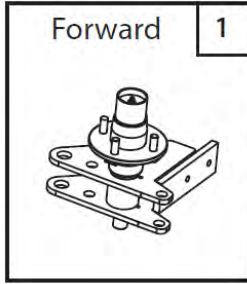
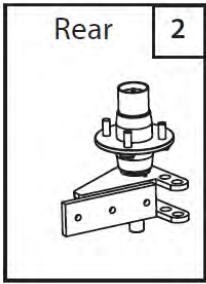
ITEM	PART NO.	DESCRIPTION	QTY	NOTES
1	858-0951	Windscreen, side	1	..Replaces AC02-A09-S
2	AC1-0010-300	Spill guard, top rubber, rear position	1	
3	SE-A1300	Mount, angle, truck side rubber guard	1	
4	AC02-A09-300	Spill guard, front	1	

Curotto-Can 300 GALLON MODEL ARM & GRIP HEAD COMPLETE



ITEM	PART NO.	DESCRIPTION	QTY	NOTES
1	SE-S08-300	Arm, bare	1	.. Comes with bushings, pads and stops
2	SE-A005-300	Arm, complete	1	.. Ready to run

Curotto-Can 300 GALLON MODEL ARM AND GRIPPER HEAD

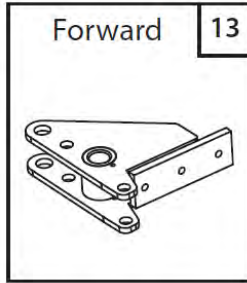
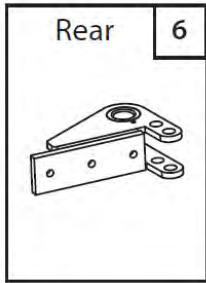


IMPORTANT: Do not reuse lug nuts - replace with supplied lugnuts torque to 100 ft lbs
IMPORTANT: Check tightness of spindle locknut regularly - nut must be tight - torque to 200 ft lbs

IMPORTANT: Brackets for the front and rear are different parts - complete assembly includes: spindle, hub, bracket, key, lugnuts and spindle locknut

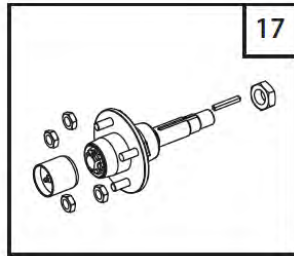
Note: page 1 of 2

IMPORTANT: Orientate link bar as shown, flat side facing out, otherwise damage will result

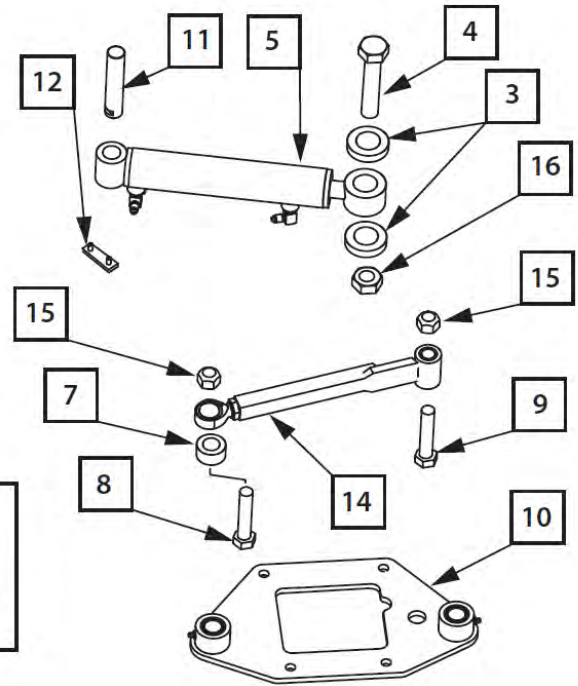


Use new Nylock nuts whenever the hub and spindle is removed

IMPORTANT: Refer to Torque Table at the end of this book for Curotto-Can recommended torque values



Note: for installation procedure for link bar go to:
www.thecurottocan.com/Troubleshooting

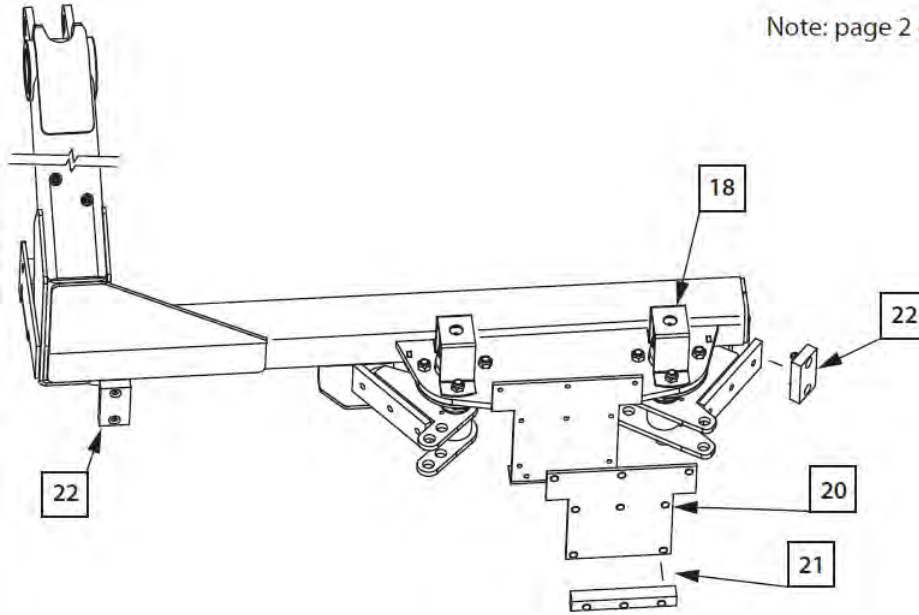


ITEM	PART NO.	DESCRIPTION	QTY	NOTES
1	AC02-S31-T-300	Pivot arm assy., forward	1	
2	AC02-S32-T-300	Pivot arm assy., rear	1	
3	AC02-023-M	Spacer, grip cyl., rod end	2	
4	AC02-S09	Pin, grip cylinder, rod end	1	
5	SE-S37-300	Grip cylinder, 1.75" bore	1	
6	AC02-S34-T-300	Bracket, rear, 300 gal only	1	
7	SE-SP-R1-300	Spacer, link bar, rod end	2	
8	AC02-S23	Pin, link bar, rod end	1	
9	AC4-A003	Pin, link bar, bushing end	1	
10	AC02-S21-300	Dogbone assy.,	1	
11	AC02-S10	Pin assy., grip cyl. barrel end	1	
12	AC02-028	Retainer plate	1	
13	AC02-S33-T-300	Bracket, front, 300 gal only	1	
14	AC02-DB22	Link bar assy.	1	.. Complete with bushing and heim joint
15	LN-8075-PL	Nylock,	2	
16	LN-8001-PL	Nylock,	1	
17	AC02-021	Hub and spindle assembly	2	.. Complete as shown

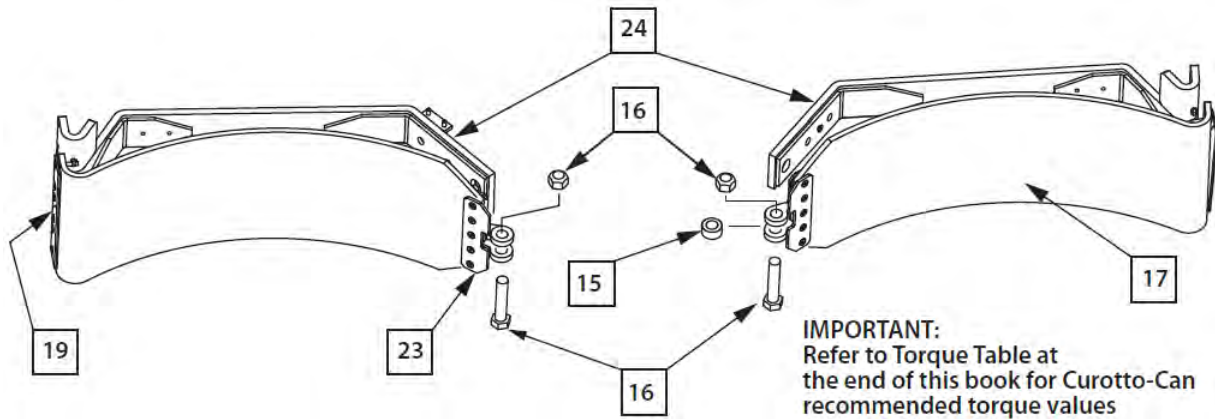
Curotto-Can 300 GALLON MODEL ARM - BELTS AND PINS

Pads and Stops

Note: page 2 of 2



Belts and Pins

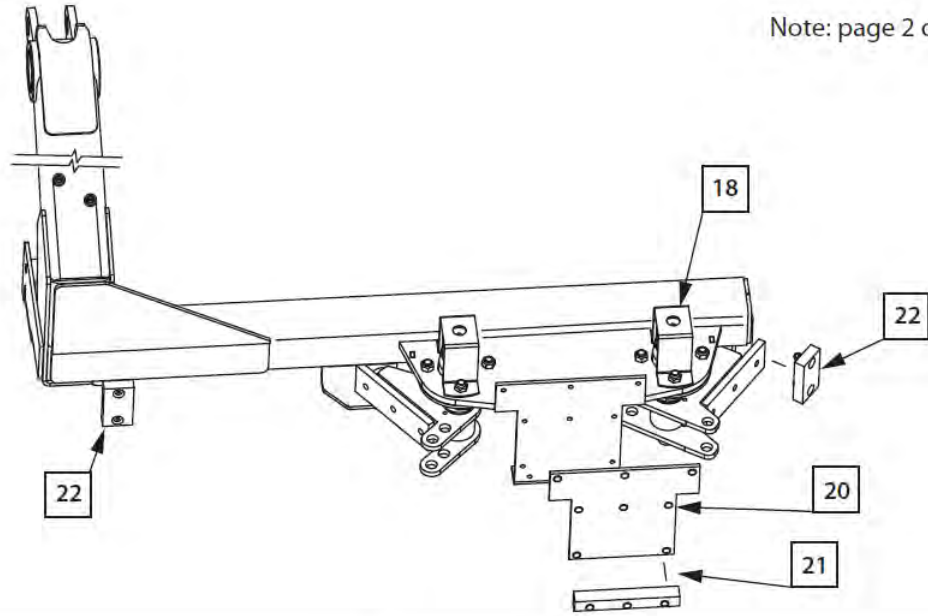


ITEM	PART NO.	DESCRIPTION	QTY	NOTES
15	AC02-022	Spacer, grip arm, forward	1	
16	AC02-144	Pin, gripper arms	2	
17	AC02-008-300	Belt assy, 300 gal only, standard length	2	
18	SE-BBC-01	Guard bracket, bearing buddy	2	
19	AC02-140-300	Belt retainer, gripper end, outboard	2	
20	SE-034-300	Pad, cart stop, upper	1	
21	300GAL-PAD	Pad standoff, cart stop, lower	1	
22	AC02-036	Stop pad, gripper arm	2	
23	AC02-S04-300	Buckle, 300 gal only	2	
24	AC4-A001-300	Gripper arm assy, standard length	2	

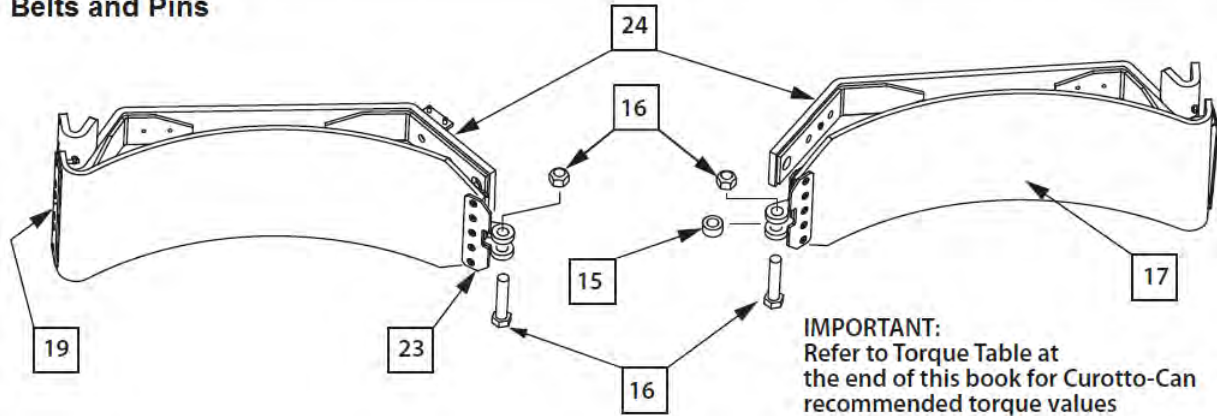
Curotto-Can 300 GALLON MODEL ARM BELTS AND PINS

Pads and Stops

Note: page 2 of 2



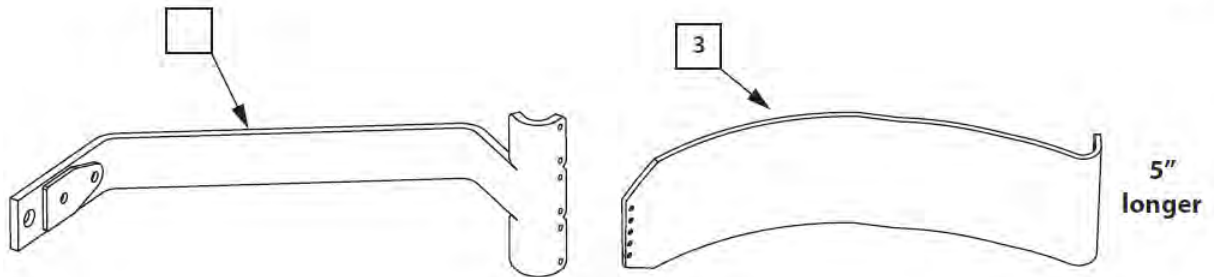
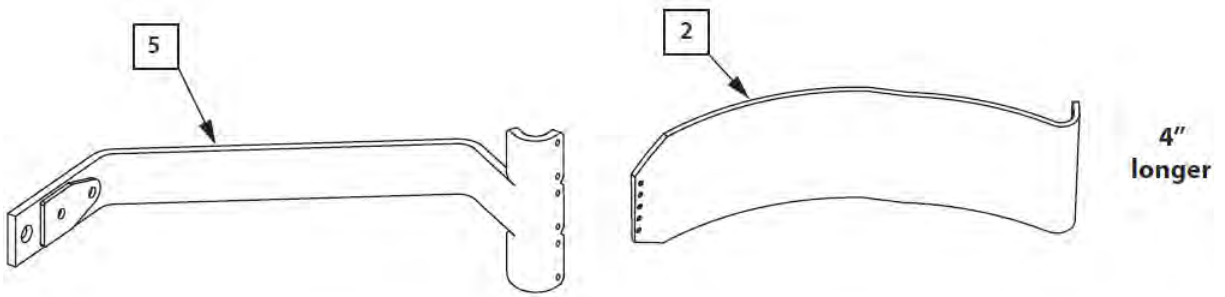
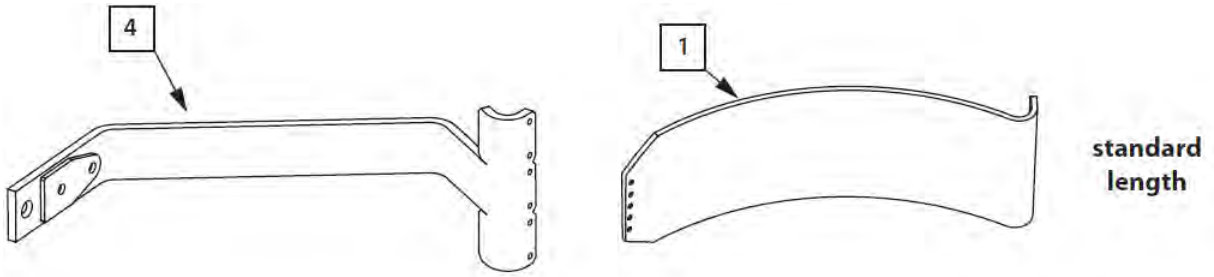
Belts and Pins



IMPORTANT:
Refer to Torque Table at the end of this book for Curotto-Can recommended torque values

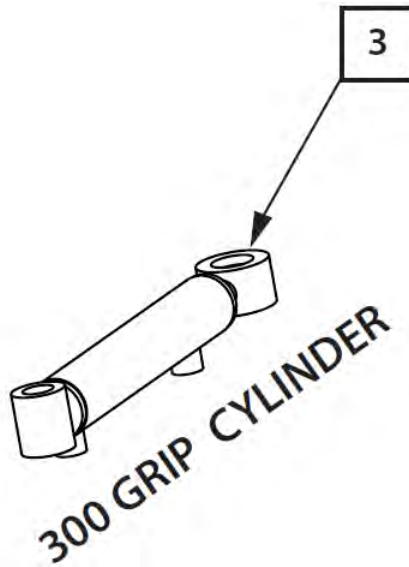
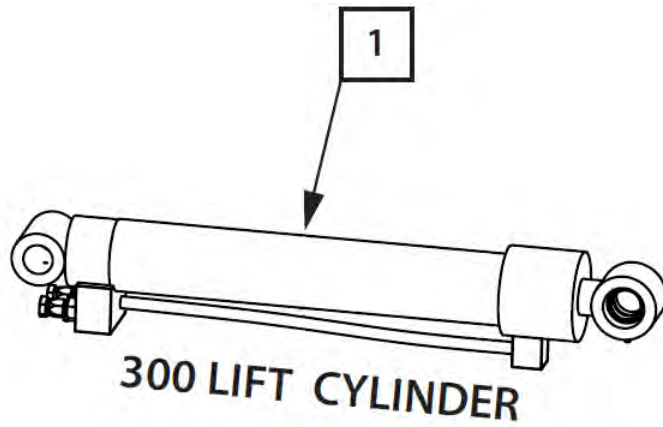
ITEM	PART NO.	DESCRIPTION	QTY	NOTES
15	AC02-022	Spacer, grip arm, froward	1	
16	AC02-144	Pin, gripper arms	2	
17	AC02-008-300	Belt assy, 300 gal only, standard length	2	
18	SE-BBC-01	Guard bracket, bearing buddy	2	
19	AC02-140-300	Belt retainer, gripper end, outboard	2	
20	SE-034-300	Pad, cart stop, upper	1	
21	300GAL-PAD	Pad standoff, cart stop, lower	1	
22	AC02-036	Stop pad, gripper arm	2	
23	AC02-S04-300	Buckle, 300 gal only	2	
24	AC4-A001-300	Gripper arm assy, standard length	2	

Curotto-Can 300 GALLON MODEL ARM & BELT OPTIONS



ITEM	PART NO.	DESCRIPTION	QTY	NOTES
1	AC02-008-300	Belt, grip, standard length	2	
2	AC02-008-300-4	Belt, grip, 4 inches longer	2	
3	AC02-008-300-5	Belt, grip, 5 inches longer	2	
4	AC4-A001-300	Arm, standard length	2	
5	AC4-A001-300-4	Arm, 4 inches longer	2	

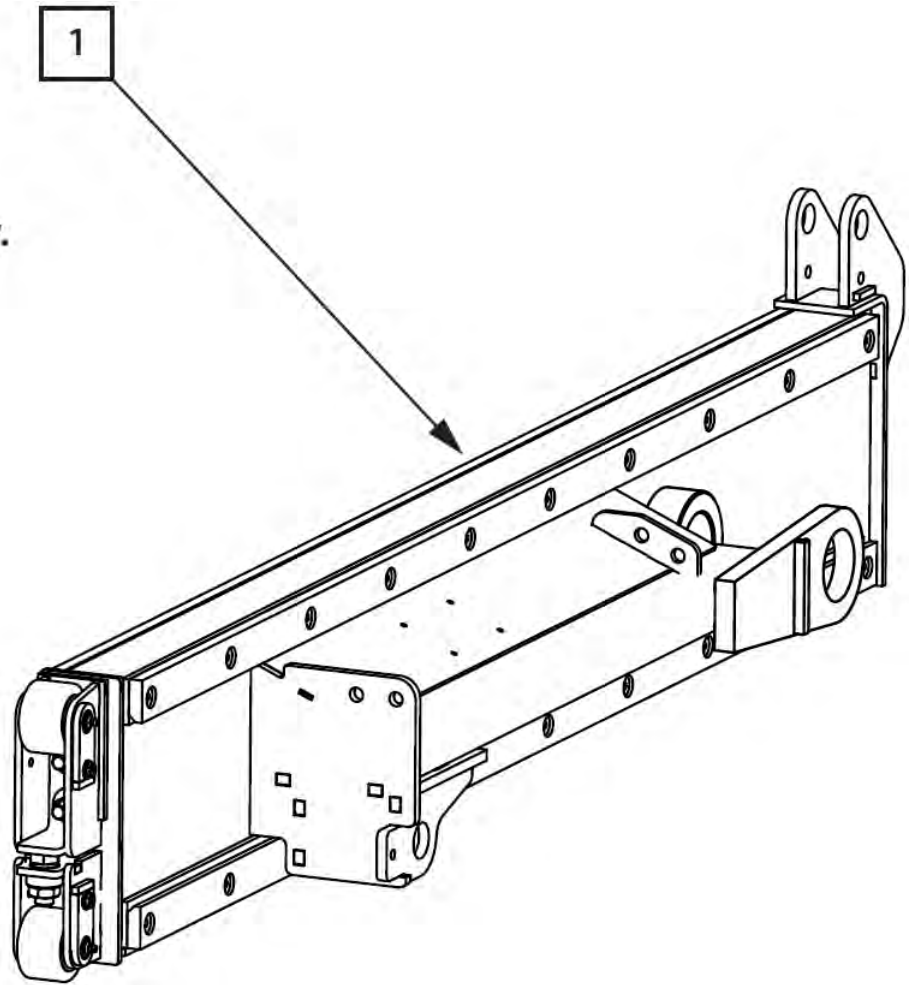
Curotto-Can 300 GALLON MODEL LIFT CYLINDER



ITEM	PART NO.	DESCRIPTION	QTY	NOTES
1	SE-S39-300	Cylinder, lift, 300 gal only	1	
2	SE-S39-300-SK	Seal kit, 300 lift cylinder only	1	
3	SE-S37-300	Cylinder, grip, 300 gal only	1	
4	SE-S37-300-SK	Seal kit, 300 grip cylinder only	1	

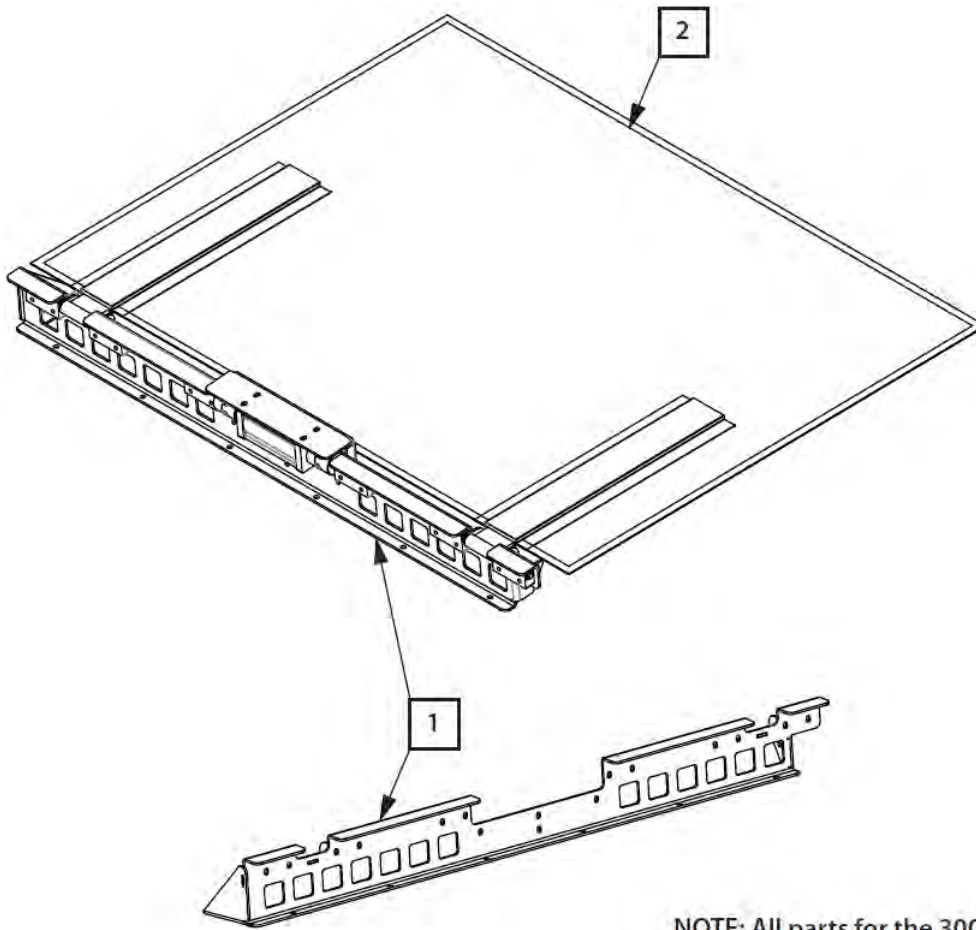
**Curotto-Can
300 GALLON MODEL
COMPETE SLIDE**

Complete with:
wear strips
bushings
pins
adjust roller assy.



ITEM PART NO.	DESCRIPTION	QTY NOTES
1 SE-A06-300	Slide, 300 only	1 .. Complete and ready to run

Curotto-Can 300 GALLON MODEL AUTOCOVER



NOTE: All parts for the 300 GAL Rotary Autocover are the same except for the Windscreen and Fabric Cover

ITEM	PART NO.	DESCRIPTION	QTY	NOTES
1	SE-RAC-CS-8-300	Windscreen only	1	
2	SE-RAC-CS-13	Fabric cover only	1	

NOTE: For all other Autocover parts, refer to **Autocover, Rotary Actuator, Cylinder & Shaft Assembly** [60] and **Autocover, Windscreen** [61].

INTENTIONALLY LEFT BLANK

TABLES

Curotto-Can

TABLES

TORQUE VALUES

When tightening fasteners always use the Curotto-Can spec for torque values

Torque Specifications Table - US Standards			
Grade 8 bolts used on the Curotto Can			
Bolt Dia. (Inch)	Thread per inch	Max Torque (ft-lbs)	Curotto Can Spec Unless Noted (ft-lbs)
1/4	20	14	14
1/4	28	16	16
5/16	18	25	25
5/16	24	29	N/A
3/8	16	45	45
3/8	24	50	N/A
7/16	14	70	N/A
7/16	20	80	80
1/2	13	110	110
1/2	20	120	120
9/16	12	150	N/A
9/16	18	170	N/A
5/8	11	210	N/A
5/8	18	240	180
3/4	10	380	N/A
3/4	16	420	180
7/8	9	600	N/A
7/8	14	670	N/A
1	8	910	200
1	12	1020	N/A

Curotto-Can

NUMERICAL INDEX

PART NO.	PAGE NO.	PART NO.	PAGE NO.	PART NO.	PAGE NO.
001-7151	30	857-5164	15	B17-0004	27
212-3273	7	AC02-S21-300	19, 79	859-0016	20
300GAL-PAD	79, 81	AC02-S21-F	19	B17-0007	19
857-0957	57	AC02-S23	25, 27, 79	B17-MRE	27
858-0958	57	AC02-S31-T	26	CC01-ET-0001	44, 50, 51
858-0960	57	AC02-S31-t-300	79	CC01-ET-0002	44, 50, 51
AC0101-LHD-TD-WP42		AC02-S32-T	26	CCP- SK-2	30
AC0101-LHD-WP	42, 68	AC02-S32-T-300	79	CCP-S19	30
AC0101-M98-DC-WP42	68	AC02-S33-T-300	79	001-7163	30
AC0101-M98-WP	42, 68	AC02-S34-T-300	79	CCP-SK-0	30
AC02-008	23, 24	AC08-0001-K-WP	42	CCP-SK-9	30
AC02-008-300	79, 81, 82	858-0164	9	047-2673	13
AC02-008-300-4	82	AC1-0010-300	77	CF-0115003	22
AC02-008-300-5	82	AC1-0012	20	FSP080717	15
AC02-008-4	24	858-0182	9	CF-0115107	12
858-0102	23, 24	AC1-0017	6	CF-0115109	20
AC02-021	26, 79	858-0128	20	CF-0115115	9
AC02-022	25, 79, 81	AC4-0009	20	CF-0115207	19, 23
AC02-023-M	22, 79	AC4-A001	23, 24	CF-0118958	13, 69
AC02-028	22, 79	AC4-A001-300	79, 81, 82	CF-1133813	15, 22, 69
AC02-029-KT	22	AC4-A001-300-4	82	CF-1133816	12
AC02-036	21, 79, 81	AC4-A001-4	24	CF-1133817	15
AC02-041	20	AC4-A002	20	CF-113817	69
AC02-049-T	20	AC4-A003	27, 79	CF-115005	69
AC02-052-RB-T	14	AC8-0001-K	43	CF-115107	71
AC02-052-T-IB	14	AC8-0001-TD-WP	42	CF-13478	18
AC02-052-T-OB	14	AC8-0001-WP-ARM	42	CF-15005	15
858-0042	13	AC8-0001-WP-CAB	42	FSP080950	9
858-0061	13	AC8-0004	42, 50, 51	CF-15209	18
AC02-067	13	AC8-0007	42, 45, 50, 51	CF-15211	15, 23
AC02-086-T	12	AC8-0007-K	68	859-0039	9
AC02-090	13	AC8-0007-KT	42	FSP522000	18
AC02-098	19	AC8-0008	42, 50, 51, 52	859-0040	9
AC02-121-SE	20	AC8-0010	56	055-3113	6, 9, 12, 13, 15, 20, 71
AC02-140	23	AC8-0010-B	56	CF-33817	13, 18
AC02-140-300	79, 81	AC8-0010-C	56	CF-37045	18
AC02-144	25, 79, 81	AC8-A311	42, 56	047-2670	6, 9, 12, 13, 15, 20, 71
AC02-151 AC02-	14, 26, 70	AC8-A311-B	48	423-2960	15, 21, 23, 69
A03-SE	6	AC8-A311-DC	49, 50, 51	423-2957	15, 18, 19, 23
AC02-A03-SE-300	76	AC8-A311-DC-PT	56, 68	CF-38084	69
AC02-A09-300	77	AC8-A312	42, 50, 51	859-0041	6
857-0651	9, 61	AC8-NS02	43	859-0011	15
858-0951	9, 77	263-1815-034	42	FS190400	19
AC02-DB22	27, 79	AC8-OC	68	CF-65127	12, 15
AC02-S04-300	79, 81	AC8-OCH	56	CNT-KT	57
AC02-S09	22, 79	AC8-OC-S	68	DB-F01	27
AC02-S10	22, 79	ACO2-S33-T	26	DECAL-STANDARD KIT	
423-2960	12	ACO2-S34-T	26		

Curotto-Can

NUMERICAL INDEX

PART NO.	PAGE NO.	PART NO.	PAGE NO.	PART NO.	PAGE NO.
E09-0049	43, 51	HUTZ-SG	24	SE-A005-300	78
E09-0050	43	IL-4401-R3	37	SE-A012	12
EXT 6 " SET	68	IL-4401-R3-KT	68	SE-A06	13
EXT 8 " SET	68	LN-021	26	SE-A06-300	84
EXT-6-SET	8	LN-8001-PL	22, 79	SE-A1300	77
EXT-8-SET	8	LN-8075-PL	25, 27, 79	SE-A89-T	14
EXT-9-SET	8	LUGNUT - 1/2"	26	SE-A-89-T	70
EXT-HW-KT-CS	8	PANEL 164	45, 68	SE-AC-CS-1	60
EXT-HW-KT-TS	8	PB-0001	6	SE-AC-CS-14	61
FL21-044	54	PDM-112GPM	38	SE-AC-TS-10-E	61
FL7-0002	54	PDM-12GPM	68	SE-AC-TS-KT	61, 68
FL7-A001	54	PHKC-01	31	SE-ARB	14, 69
FL-UJB	54, 68	PHKC-01-R	31	SE-ARB-RKT	13, 69
FL-UJBM	54, 68	QC-01	31	857-5060	13, 69
FN-8075	27	045-1391-002	31	SE-BBC-01	26, 79, 81
GH-001	18	QC-KT	39, 68	SE-BK-B1	63
GH-002	18	047-2670	31	SE-BK-B2	62
GH-003	18, 20	R3-C12V	37	SE-BK-B3	62
GH-004	18	R3-NV1	37, 38	SE-BK-B5	64
GHKT-01	18	R3-RV1	37	SE-BK-B6	64
859-0056	35	R3-SV1 RPEC-	37	SE-BK-B7	64
H03-05-04-GR	35	LAN-FBA	38	SE-BK-B8	62, 65
H03-05-04-MR	35	RRBK-41	35	SE-BK-C1	62
HFLTK-01-H	39, 68	RRC-11	35	SE-BK-C2	62
HFLTK-01-M	39, 68	RRCN-21	35	SE-BK-C4	63
HH-135	31	RRCV-01	35	SE-BK-C5	65
HH-27	31	RRCV-PRSV	35	SE-BK-C6	64
HH-27E	31, 32	RRSK-31	35	SE-BK-CS	62
HH-28	31	S16-0381	30	SE-BK-LK	64
HH-28F	31, 32	S16-0382	30	SE-BK-TS-H SE-	65, 68
HH-29	31	S16-0383	30	BK-TS-HW-H	65
HH-29F	31, 32	S16-0406	45	SE-BK-TS-HW-M	63
HH-30	31, 32	S16-0417	45	SE-BK-TS-HW-M-LP	64
HH-31	31, 32	S16-0564	35	SE-BK-TS-M	63, 68
HH-32	31, 32	S16-0570	35	SE-BK-TS-M-LP	64
HH-34	31	S16-0572	26	858-5074	12
HH-34D	32	S16-0590	45	SE-FLOW-METER	74
HH-35	31	S16-0594	45	SE-RAC-CS-1	60
HH-35D	32	S16-0597	45	SE-RAC-CS-10	60
HH-50	31, 32	S16-0599	45	SE-RAC-CS-13	61, 85
HH-51	31	859-0021	13, 69	SE-RAC-CS-14	61
HH-51C	31, 32	SE-029	22	SE-RAC-CS-2	60
HH-52	31	SE-034	21	SE-RAC-CS-3	60
HH-52D	31, 32	SE-034-300	79, 81	SE-RAC-CS-4	60
HH-53	31	SE-089-T	14	SE-RAC-CS-5	60
HH-53D	31, 32	859-0022	12	SE-RAC-CS-6	60
HH-54	31, 32	SE-52RB-T	14	SE-RAC-CS-8-300	85
HH-55	31, 32	SE-A005	20	SE-RAC-CS-9	61

Curotto-Can

NUMERICAL INDEX

PART NO.	PAGE NO.	PART NO.	PAGE NO.	PART NO.	PAGE NO.
SE-RAC-CS-HW	61				
SE-RAC-CS-KT-INST	61				
SE-RFID-HW	57				
SE-RS	56				
SE-S04	23				
SE-S04-KT-F	23				
SE-S04-KT-R	23				
SE-S08	20				
SE-S08-300	78				
857-5005	15				
857-5006	15, 71				
SE-S13-KT	71				
857-0021	12				
857-5022	15, 69				
SE-S21	19				
SE-S37-300	79, 83				
SE-S37-300-SK	83				
SE-S39-300	83				
SE-S39-300-SK	83				
SE-SP-R1-300	79				
SE-SP-RI-300	27				
SE-TAB-WELD	71				
SE-WL-TS-KT	68				
SLMNEG-01	6				
047-2670	39				
TC-3-4-R	6, 12				
FSP140920	13				
THAS-2	21, 23				
THAS-3	21, 23				
FSP141126	23				
THAS-6	12				

WARRANTY

LIMITED ONE-YEAR WARRANTY

WARRANTY IS APPLICABLE TO ONLY THOSE CUROTTO-CAN PRODUCTS THAT ARE WARRANTY REGISTERED TO THE CUROTTO-CAN, INC. WARRANTY REGISTRATION FORM CAN BE FOUND WITHIN THIS MANUAL OR ON OUR WEB SITE HYPERLINK:

<http://www.thecurottocan.com>

www.thecurottocan.com

1. The Curotto-Can, Inc. warrants its products to be free from defects in material and workmanship under normal use for a period one (1) year or 2,000 hours of operation from the delivery to the first buyer.
2. Warranty is expressly limited to the repair or replacement of any component or part of Curotto-Can products and is proven to Curotto-Can's satisfaction to have been defective in material and workmanship. This warranty does not obligate Curotto-Can to bear the cost of labor or transportation charges in connection with the repair or replacement of defective parts, and it shall not apply to a product upon which repairs or alterations have been made unless authorized in writing by Curotto Can. Any improper use, substitution of parts not approved by Curotto-Can, modifications other than those done at the factory or as authorized in writing by the factory, or any alteration or repair by others in such a manner which, in Curotto-Can's judgment, materially and adversely affects the product shall void this warranty.
3. This warranty excludes: 1) wear parts such as belts, hydraulic hose or wear strips, and 2) damage or failure due to negligence, misuse accident, improper operation or improper installation.
4. Curotto-Can makes no warranty of product manufactured by others and supplied by Curotto-Can, the same being subject to warranties, if any, of their respective manufacturers.
5. Curotto-Can assumes no liability for any incidental, consequential, direct, or indirect damages, losses of delays, including, but not limited to, loss of profits, product or time.
6. Any service parts sold by Curotto-Can shall have a ninety (90) day warranty for replacement only. The warranty item must be returned to Curotto-Can for evaluation upon its request. Labor to replace such part shall be the responsibility of the owner.
7. The Curotto-Can reserves the right to improve its products through changes in design and/or materials as it may deem desirable without obligation to incorporate such changes in product of prior manufacture.
8. The above warranty supersedes and is in lieu of all other express or implied warranties, including, but not limited to, any implied warranties of merchantability or fitness. No employee or any other representative of The Curotto-Can is authorized to change this warranty in any way or to grant any other warranty.

The Curotto-Can
The Future of Automated Collection

www.thecurottocan.com

Phone:

866-696-4345

Parts Direct E-mail:

parts@thecurottocan.com

Sales Direct E-mail:

sales@thecurottocan.com

The Curotto-Can, LLC
2030 Hamilton Place Blvd, Suite 200
Chattanooga, TN 37421