

# Curotto-Can Commercial Gripper

*The* **Curotto-Can**  
The Future of Automated Collection



***Leverage your investment in a commercial front loader by adding the cost-saving Curotto-Can Commercial Gripper system.***

The Curotto-Can Commercial Gripper enables a commercial front loader to grab, lift, and empty 32- to 96-gallon wheeled carts using either outside- or inside-the-cab controls. It is specially designed to lift heavy carts, such as those filled with green waste, food waste, or recyclables like crushed glass.



## Key Features

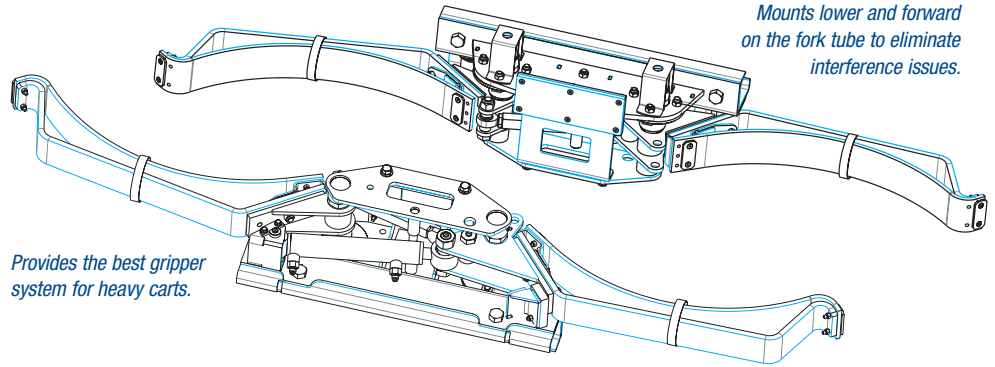
- Eliminates the need for a second truck to pick up wheeled carts, which minimizes route duplication and reduces operating costs
- Provides the best gripper system for heavy carts without damaging cart bar pockets
- Positive lock system prevents carts from being lost in the hopper
- Mounted lower and forward on the fork tube to eliminate interference issues and protect the top of the packer blade and canopy from damage due to collision
- Route-proven technology means reliable performance
- Tucks out of the way when not in use to enable collection of commercial containers
- Patent pending

The Commercial Gripper can be ordered pre-installed on your front loader directly from the body manufacturer. For units already in service, a retro-fit installation kit is available.

## Technical Specifications

Dimensions	
<b>Width</b>	76.50 inches
<b>Height at Center</b>	10.75 inches
<b>Depth at Center</b>	12.75 inches
<b>Weight</b>	220 lbs.
Capacity	
<b>Carts</b>	32 to 96 gallons, wheeled
<b>Lift Capacity</b>	500 lbs.
Control System	
Inside or externally mounted curbside-accessible switch bank	
Hydraulic System	
<b>Pressure</b>	2000 psi
<b>Supply</b>	5 US gpm
Priority divider mounted to packer body. Flow divider is activated by container controls, not continuously activated.	
Cylinder	
<b>Bore</b>	1.50 inches
<b>Stroke</b>	7.00 inches
<b>Shaft Diameter</b>	1.00 inches
Induction-hardened, ground, and polished chromed rods	

## Curotto-Can Commercial Gripper



*Mounts lower and forward on the fork tube to eliminate interference issues.*

*Provides the best gripper system for heavy carts.*



*Positive lock system prevents carts from being lost in the hopper.*



**Authorized Dealer:**



**The Curotto-Can®**  
The Future of Automated Collection

**The Curotto-Can®**

201 W. Main Street, Ste 300, Chattanooga, TN 37408

P: 707.939.2802 | F: 413.521.6644 | E: info@thecurottocan.com